

Tonecheer®

# Cyber City



Instruction Manual



## Safety Warning

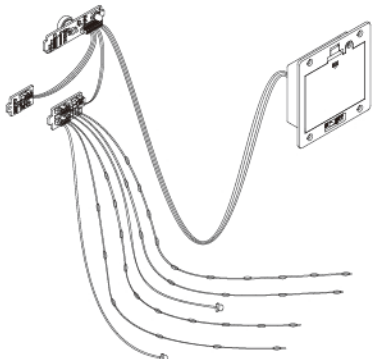



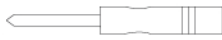


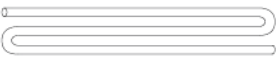




- This product is suitable for individuals over 15 years old, and children must assemble under adult supervision.
- This product contains small components, be care of danger of swallowing by children.
- Any unauthorized alteration or modification of this product will damage your rights and interests related to this product.
- This product is made of high density board with hard texture. Please be careful not to get pricked by the corner of the parts.
- Do not place the product near the source of fire or any other place where it may cause damage.
- Do not use the chemical cleaners to clean the product, such as alcohol, ammonia, window cleaners and so on.
- Please use a clean, soft cloth to clean the product.
- Do not mix old and new batteries(or different types of batteries).
- Batteries are to be inserted with the correct polarity.
- The power terminal must not be short-circuited.
- Before use, the components should be checked regularly. If there is damage, It should be suspended until it is repaired.
- Non-rechargeable batteries cannot be charged. The exhausted battery should removed from the battery case.



## Attentions

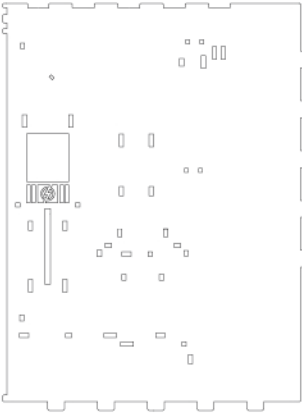
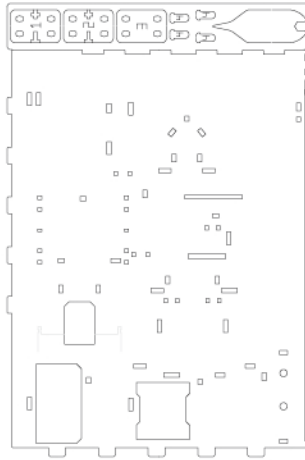
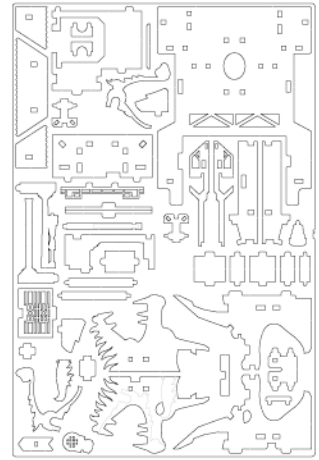
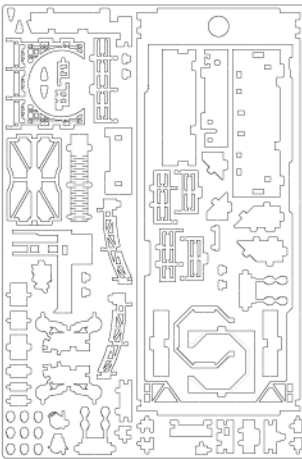
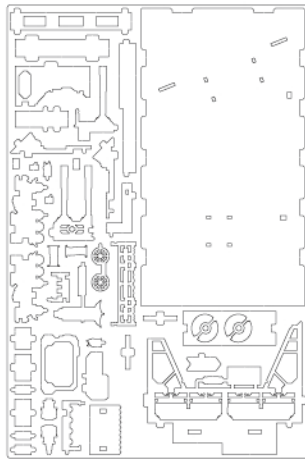
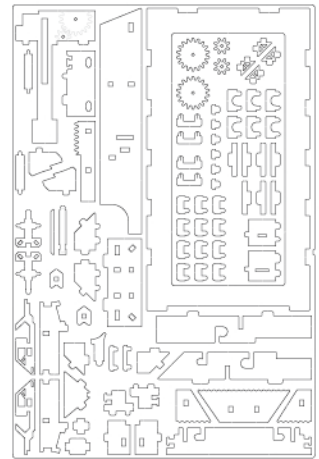
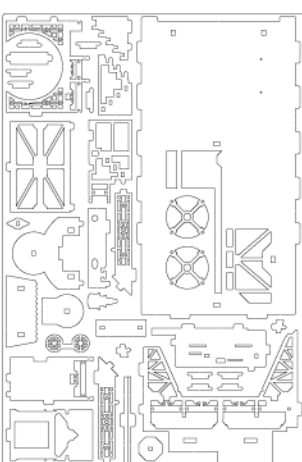
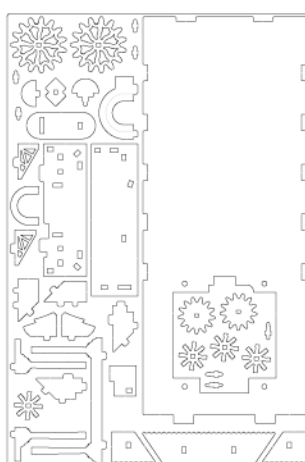
- To keep your safe, please read this manual before you start. And check your accessory kit according to “Accessories List”.
- The electronic kit has been assembled in advance. Please use it directly and do not disassemble, otherwise it will be damaged and won't work.
- Please strictly follow the instructions of the manual to assemble, do not detach all the parts at one time. The components are fragile, please take them off carefully.
- After the glue is pasted, leave the product untouched for half-hour to ensure a firm paste. To save time, you can do the pasting step first and then assemble the rest of the plugins.
- The tightness of the connector is determined by the processing technology ,the temperature and humidity of the environment. If the part is too tight to be installed, you can polish it with a fine sandpaper or a file before assembling it; if the installation is too loose, you can add some glue to fix it after assembly.
- Please keep this instruction manual for future reference.

# Accessories List

Name	Picture	Quantity	Remark
Electronic Kit		1 Set	
Countersunk Head Screw		4 PCS	4 pieces are required, keep the rest for backup.
Nut		4 PCS	4 pieces are required, keep the rest for backup.
Mini Countersunk Screws		2 PCS	2 pieces are required, keep the rest for backup.
Screwdriver		1 PCS	
Steel Shaft & Sleeve		2 Pair	One pair are required, keep the rest for backup.
Wax Chunk		1 PCS	
Aluminium Strip		1 PCS	Please use scissors to cut to the desired length.
Silver Film		1 PCS	
Blue Reflective Film		1 PCS	
Deep View Mirror		1 PCS	Please remove the protective film of the mirror before assembly (The side with the label on it).
Transparent Dust Cover		1 PCS	Remove the film from the dust cover before installation.



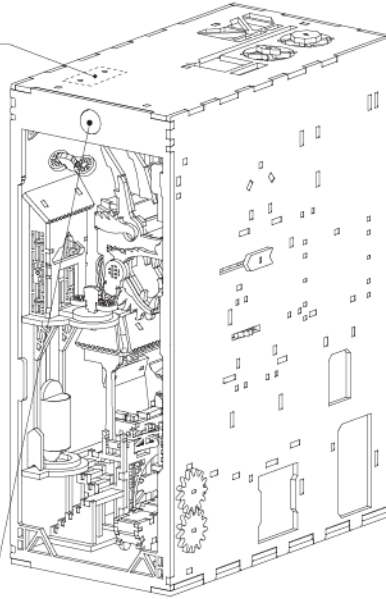
Please bring your Craft Adhesives & Glues or 3-in-1 Advanced Craft Glue.

**A****B****C****D****E****F****G****H**

# Functions

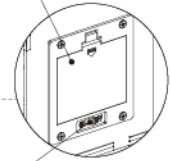
## Touch Switch

Touch the switch to switch between the three states of Eye Protection/Full Light/Light Off.



## Battery Compartment

Press down the buckle to remove the battery case. Load three AA batteries in the direction indicated and close the battery cover.



## Dip switch

There are three modes:

  / OFF

## Body Sensor

The sensing distance is about 0.5~3 meters, when the ambient temperature is close to the human body temperature, the sensing distance is shortened accordingly.

When someone comes near, the light will automatically turn on for 1~2 minutes, then turn off. If the person does not leave, it will light up again.



Power OFF



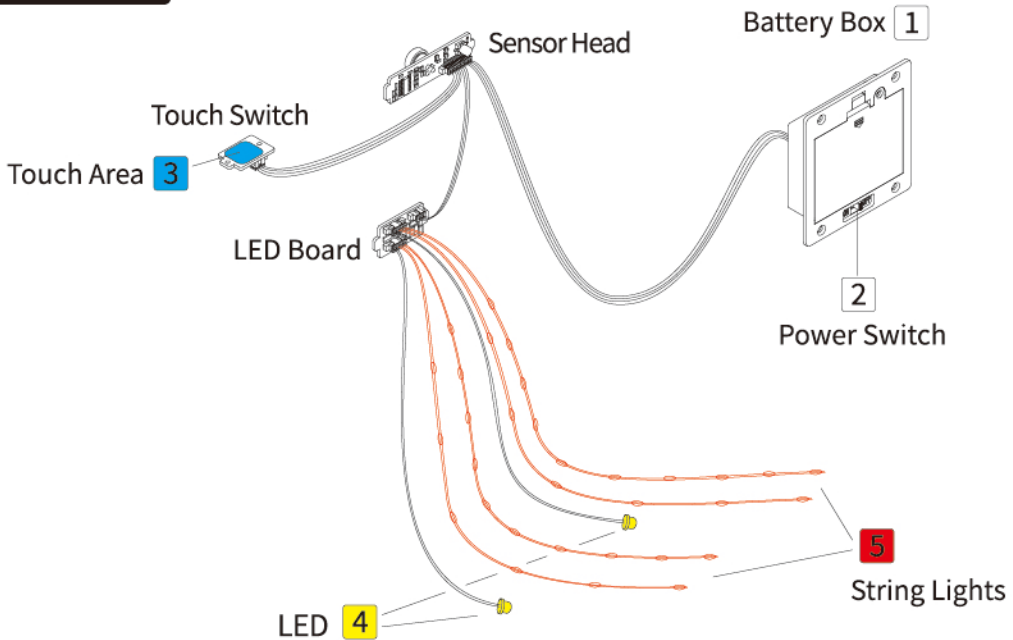
Touch switch mode



Body sensor

# Functional Test

## Electronic kit



**The electronic kit needs to be tested before assembly, and the hands must be dry when testing. Follows are the steps:**



Step 1: Press down the buckle to remove the **1** Battery case. Load three AA batteries in the direction indicated and close the battery case. **3**



Step 2: Turn the **2** power switch under the battery case to the middle, **5** and tap the **3** touch switch once to check whether the **4** LED is on normally. Tap the touch switch again to check whether the **4** LED and String Lights are normally turned off or on.

Step 3: When the test is complete, push **2** Power Switch to the rightmost.

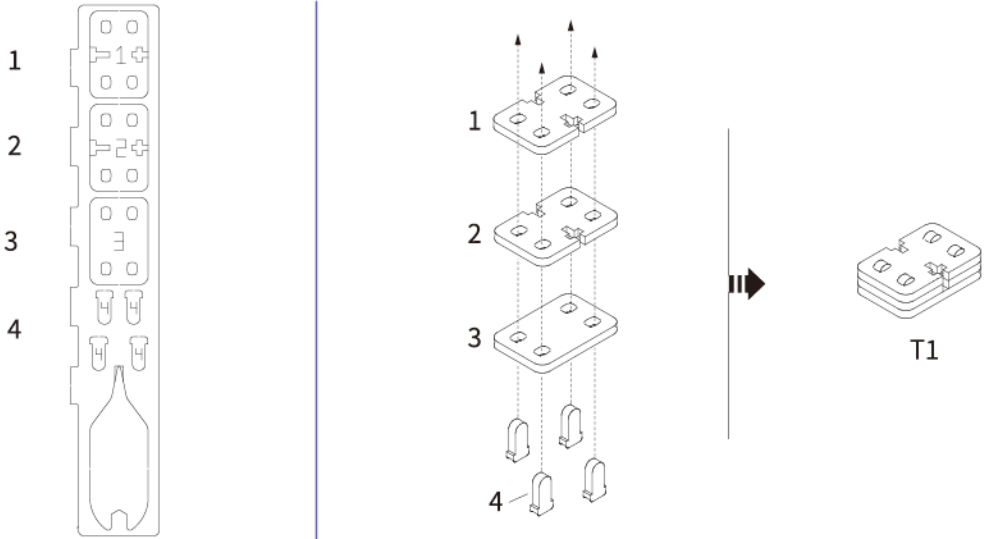
[Note]The power switch has three gears, the rightmost OFF is off, the middle gear is touch light mode, and the leftmost is human sensing light mode.

ON  OFF  
Power OFF

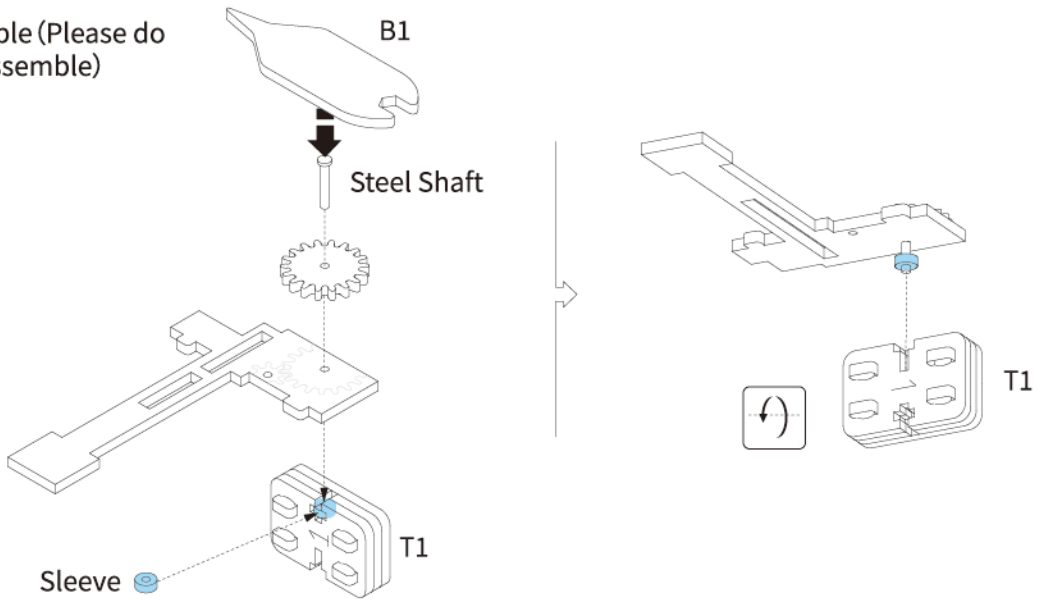
ON  OFF  
 **4** + **5** Lighting

ON  OFF  
 **4** + **5** Lighting

# Assemble the Assistive Tools



Example (Please do not assemble)



## Note


The meaning of the icon:


**1 2** Assembly sequence


**x2** Assembly 2 sets.

 Wax Chunk

 Sandpaper grinding

 This side is blank.

 There are patterns on this side.

 A symbol on the front of figure.

 Glue

 Rotate Clockwise.

 Rotate Counterclockwise.

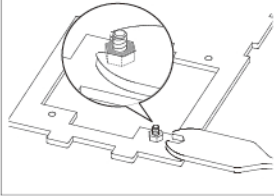
 Flip Up and Down.

1

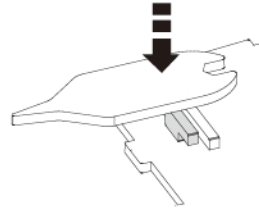
Remove the 3-in-1 tool B1 on B-board before assembling.



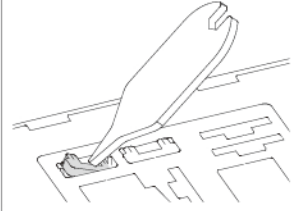
1. Hold the nut.



2. Press parts.



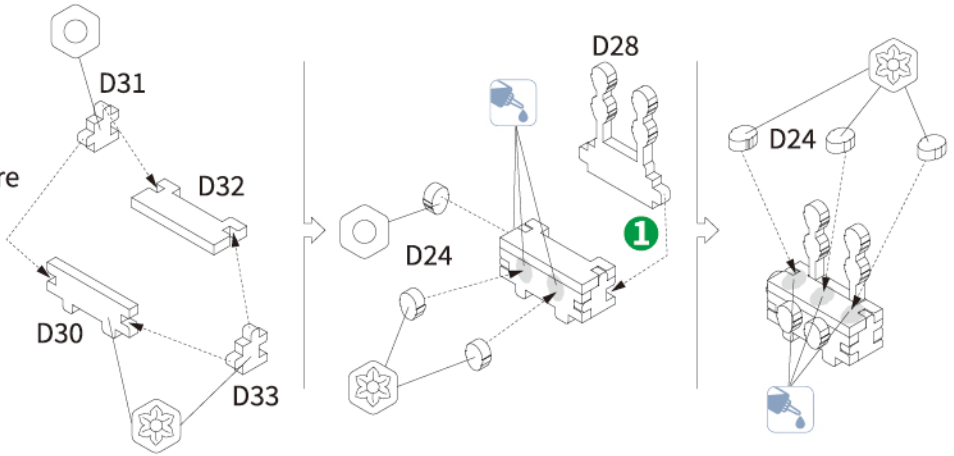
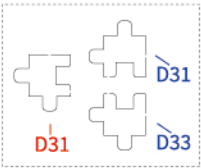
3. Push out small parts.



2

2-1

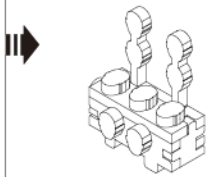
The parts numbered in red are spare parts, the same below.



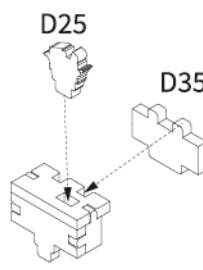
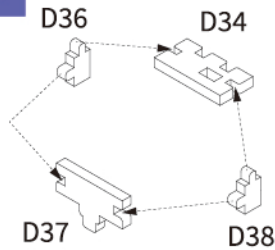
2

2-2

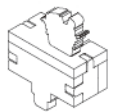
Drama Mask Booth



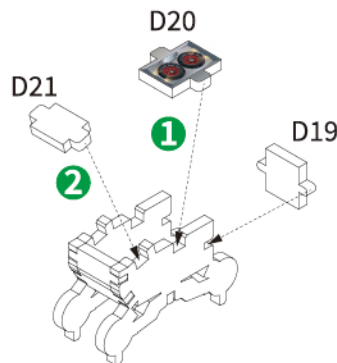
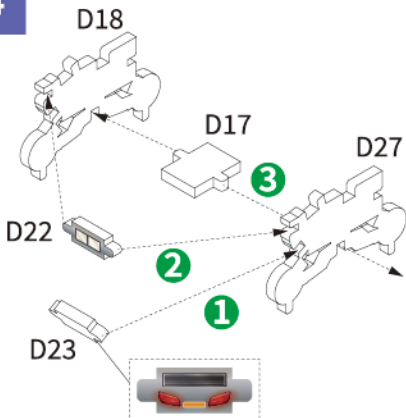
3



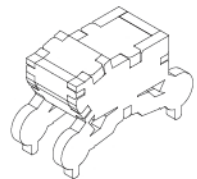
Tool Table



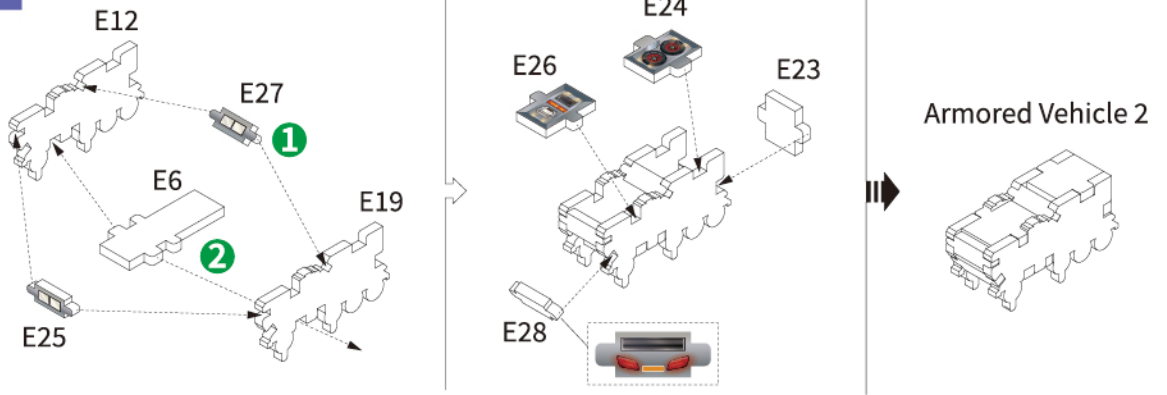
4



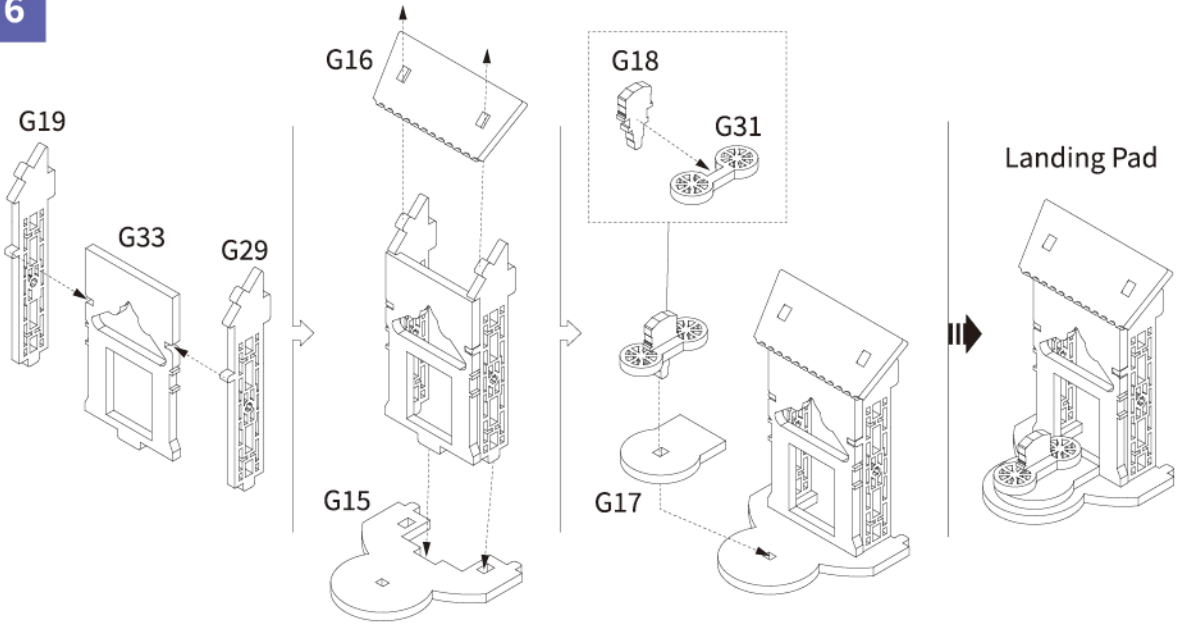
Armored Vehicle 1



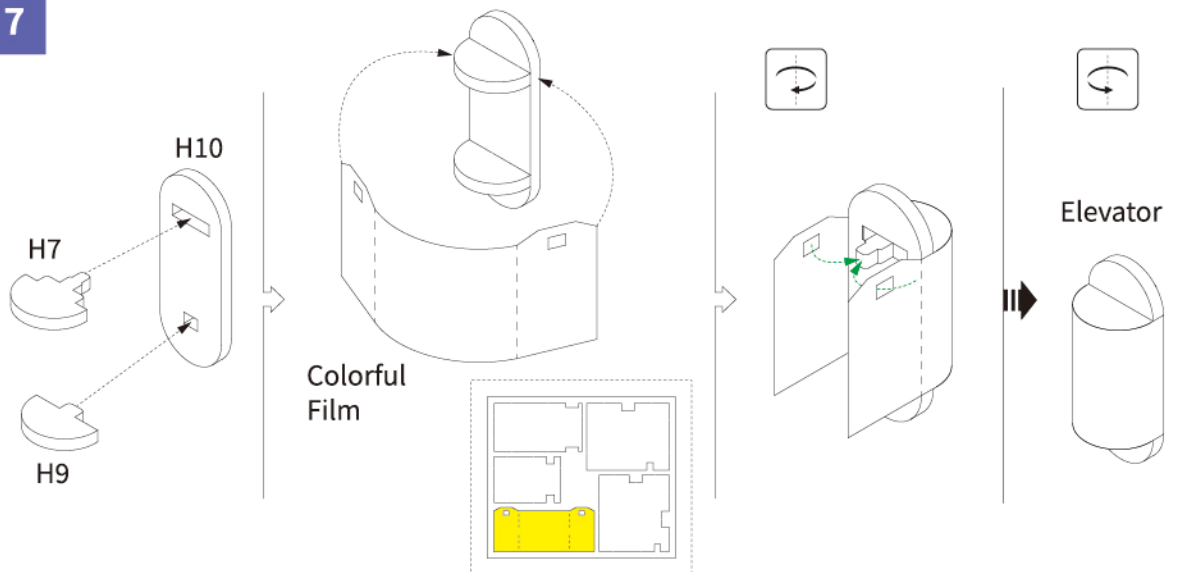
5



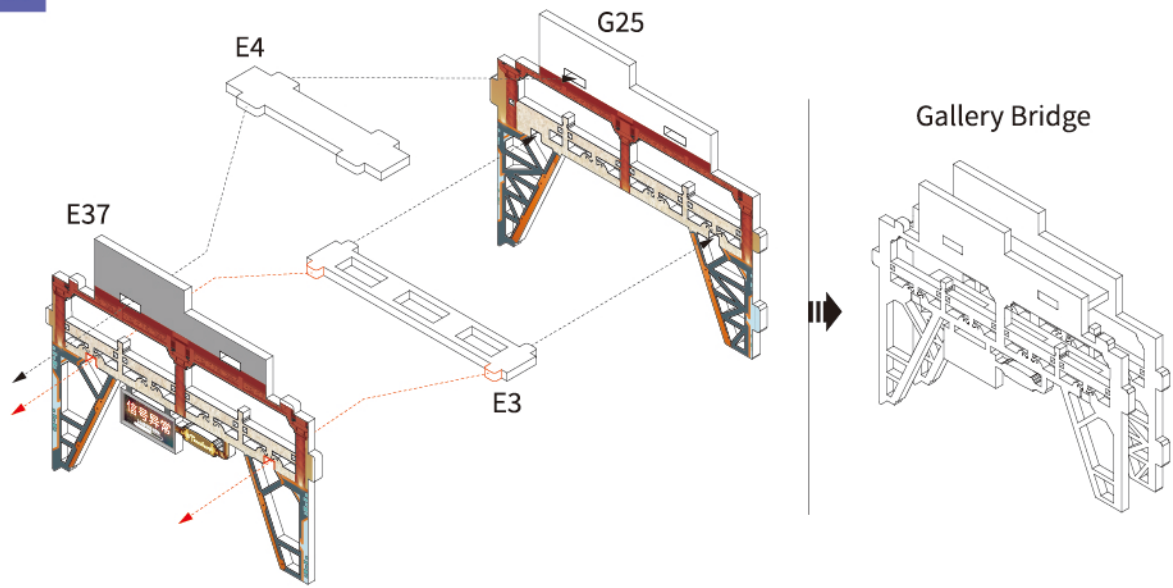
6



7

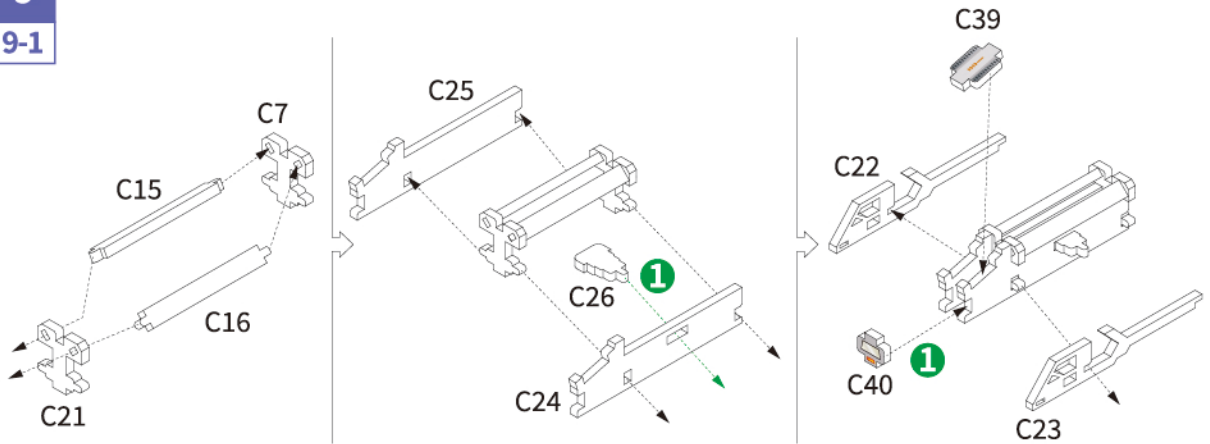


8



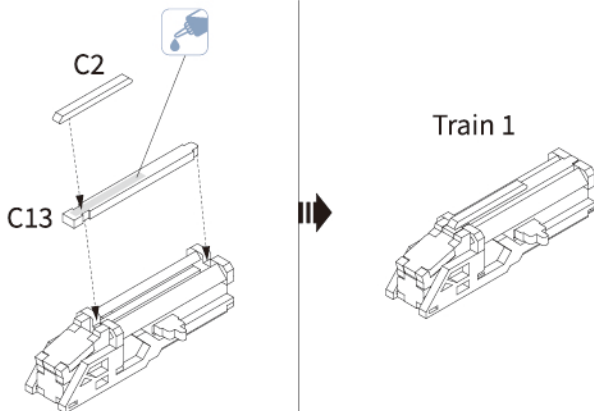
9

9-1



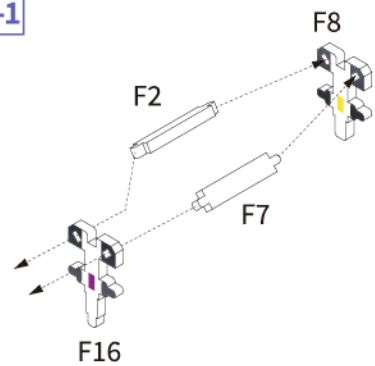
9

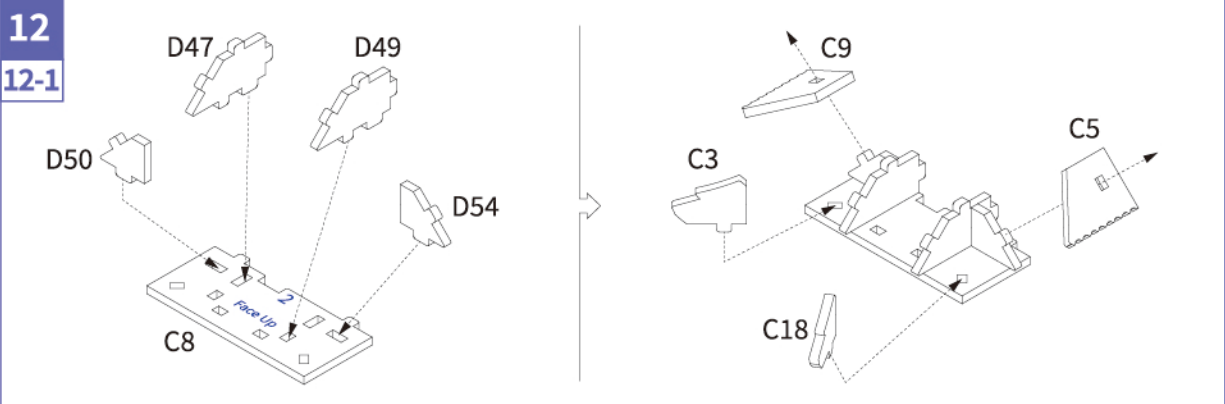
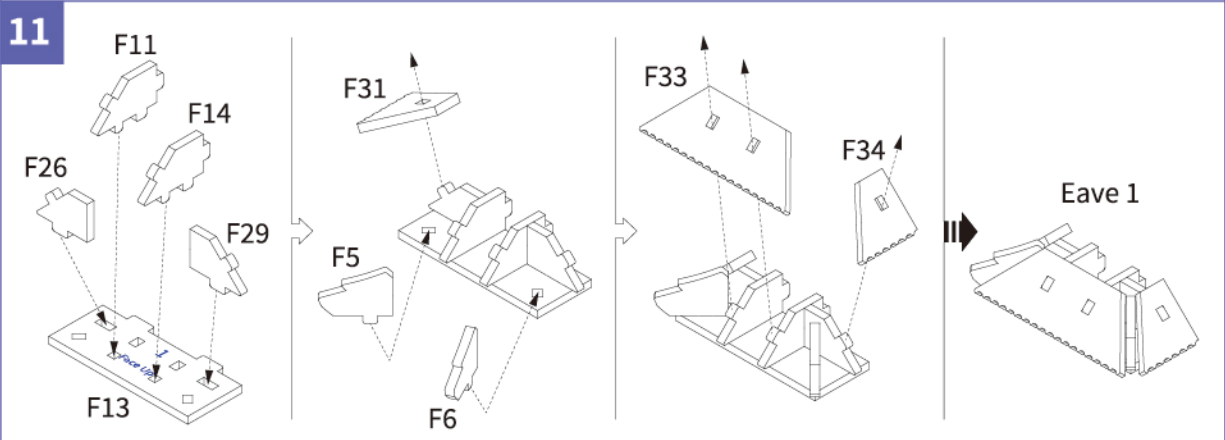
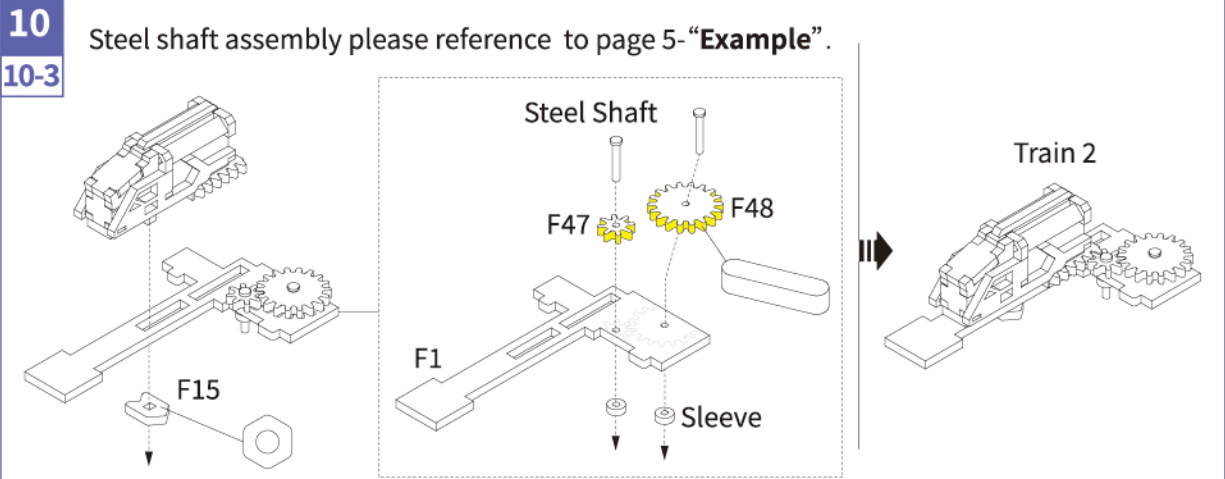
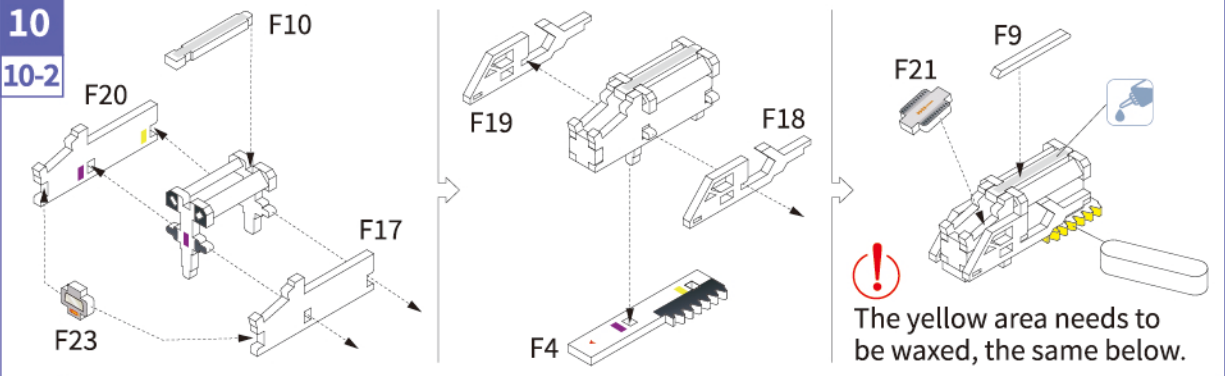
9-2



10

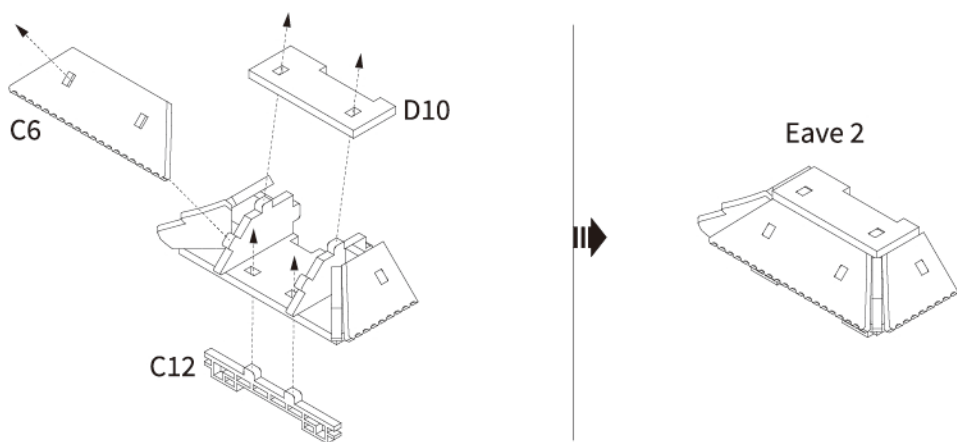
10-1





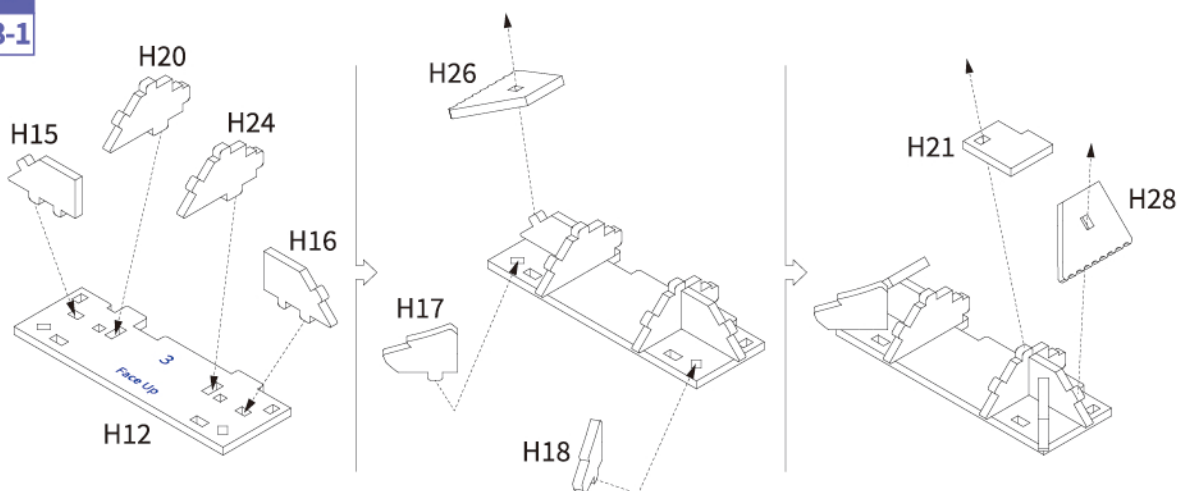
12

12-2



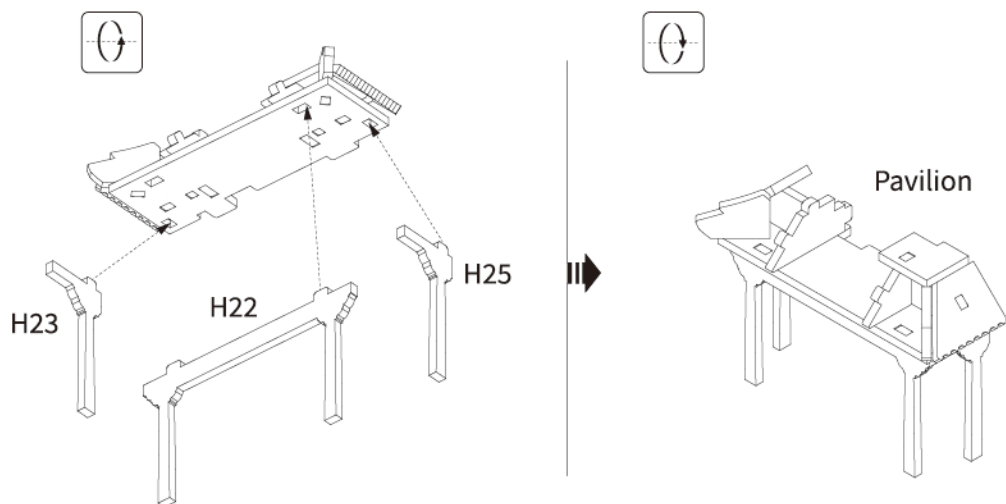
13

13-1



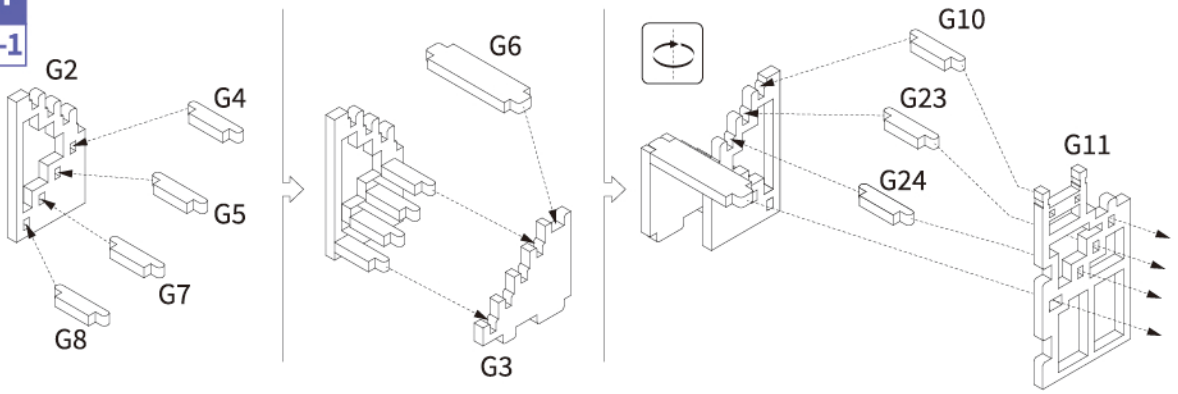
13

13-2



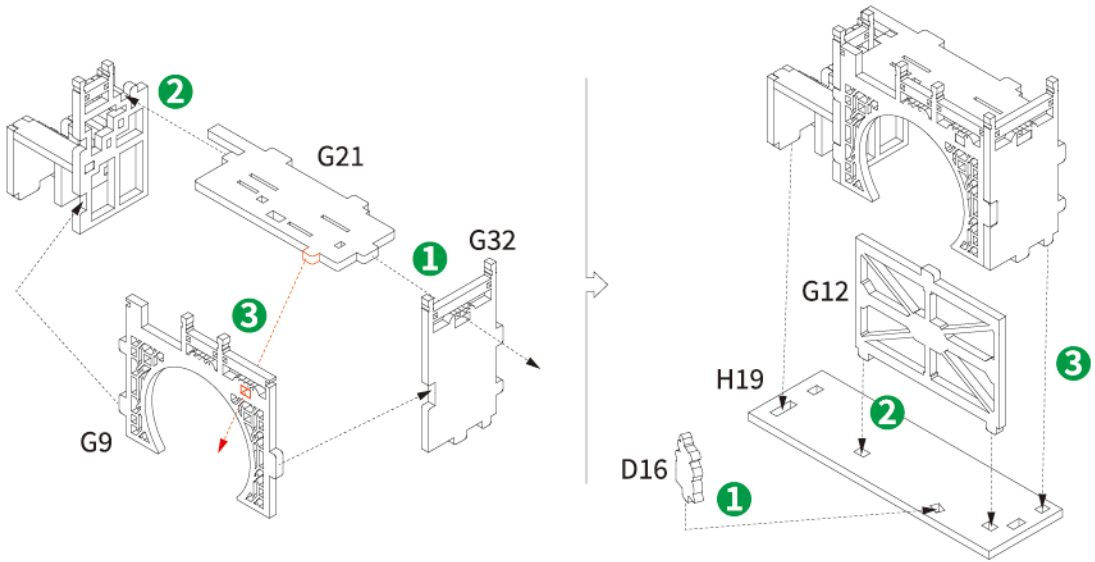
14

14-1



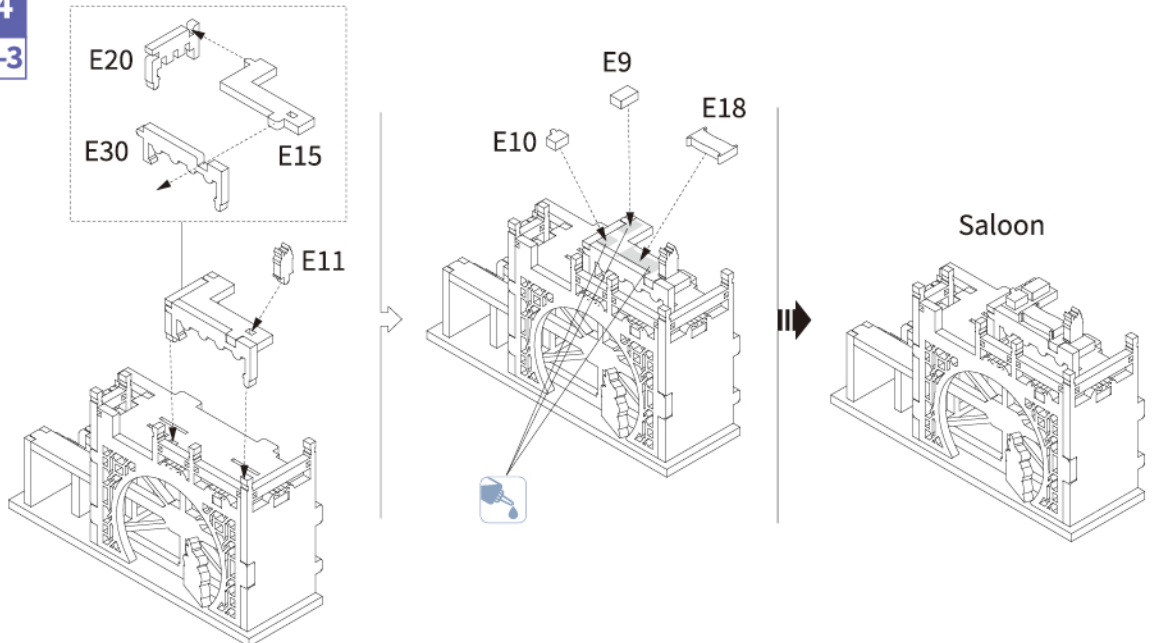
14

14-2

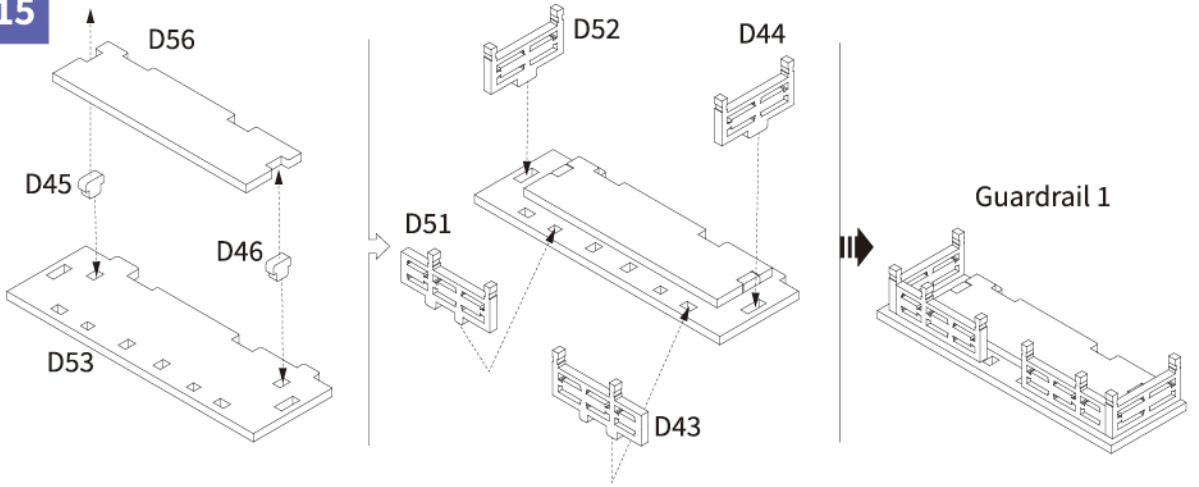


14

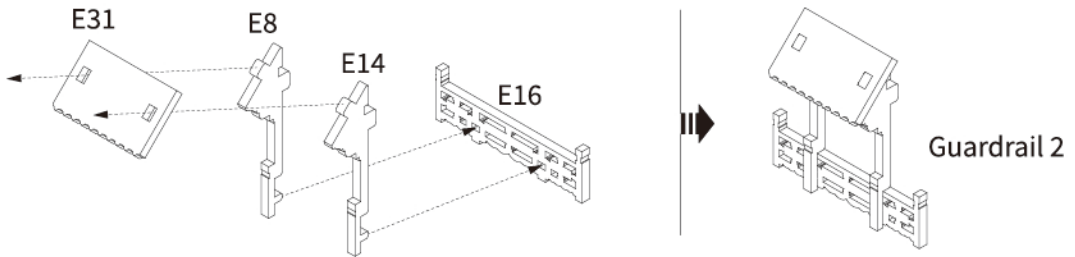
14-3



15



16

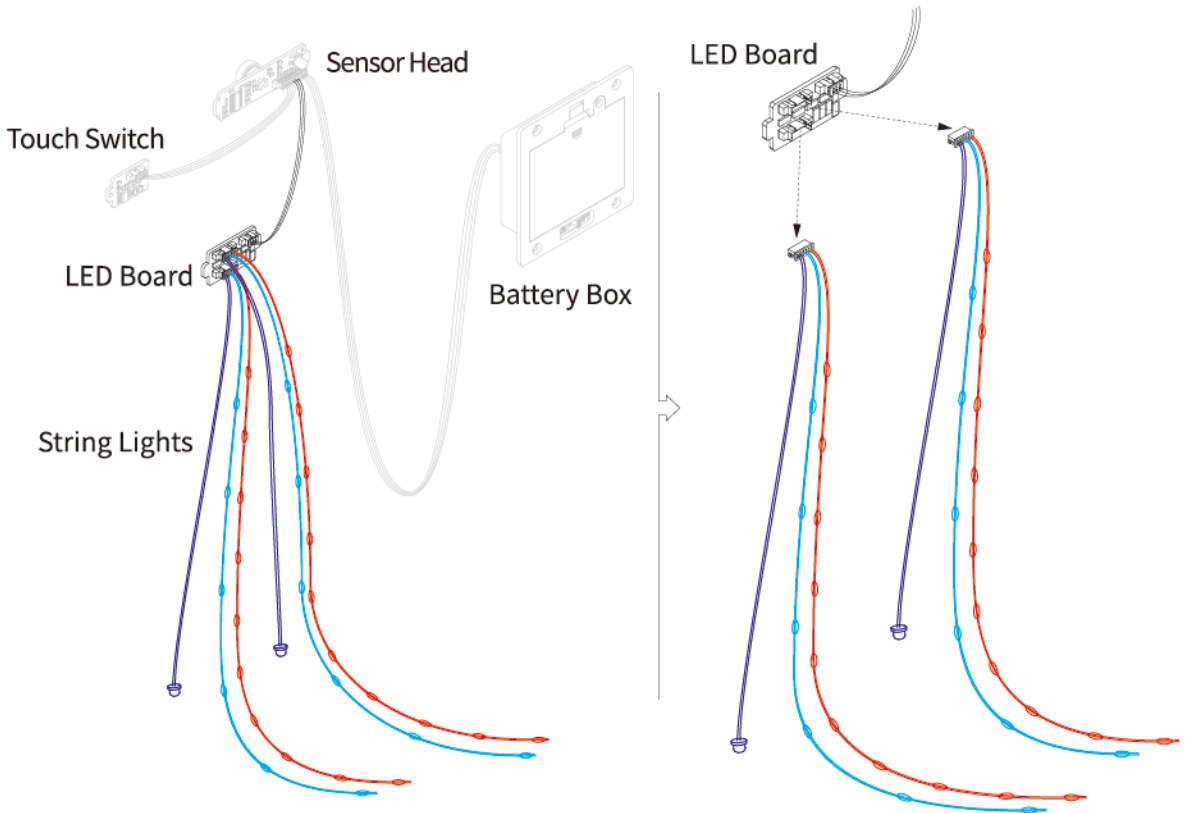


17

17-1

Electronic Kit

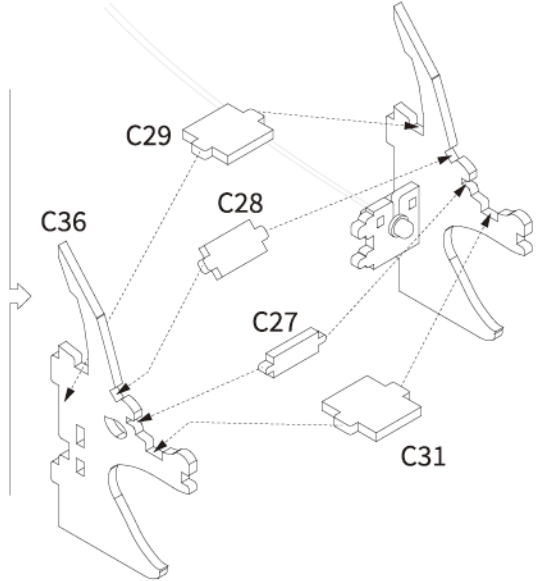
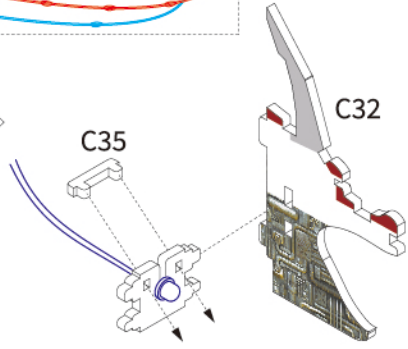
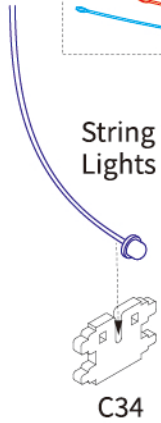
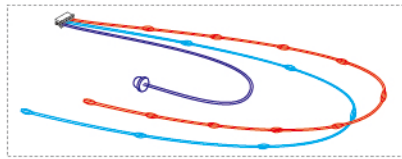
Remove the two strings of lights on the lamp board and assemble them separately.



17

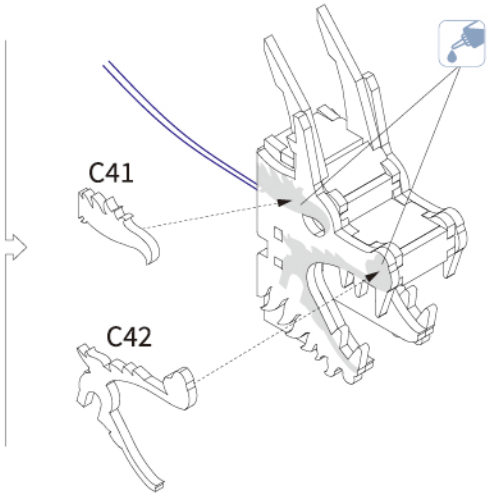
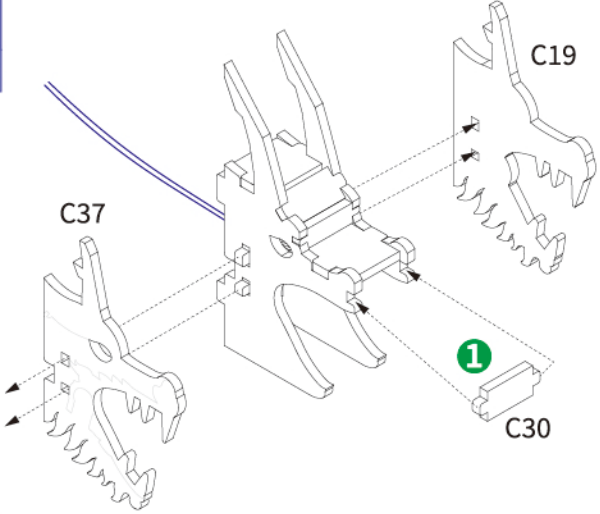
String Lights

17-2



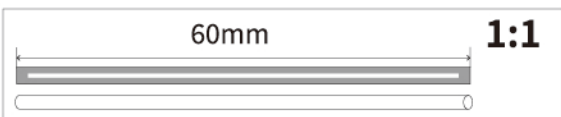
17

17-3

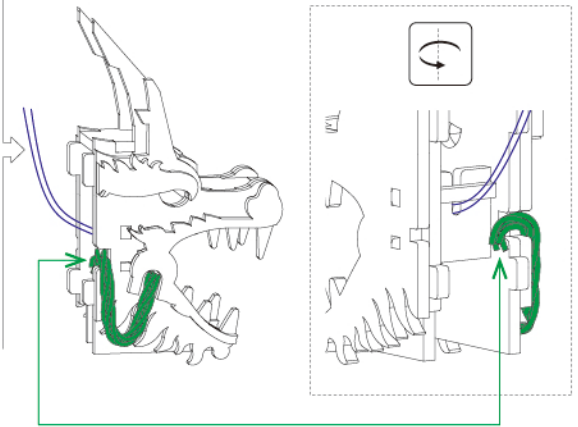
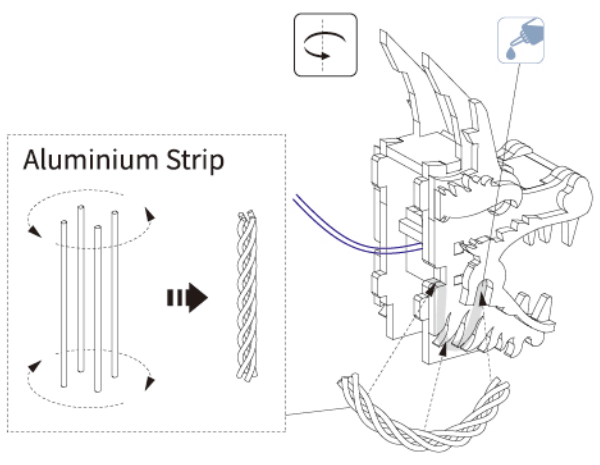


17

17-4

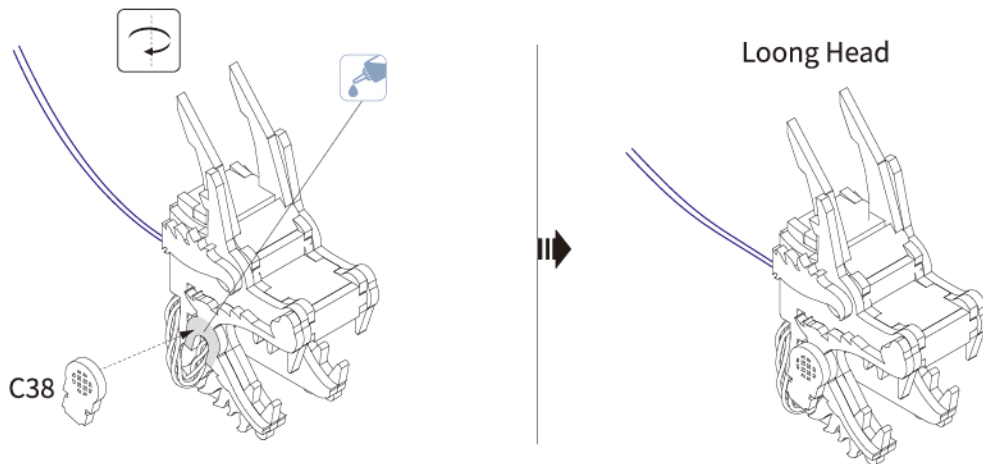


The Aluminum Strip is sharp at the fracture point, please be careful to prevent cuts when assembling!



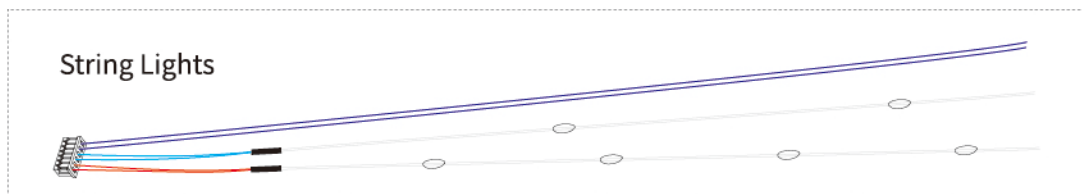
17

17-5



18

18-1

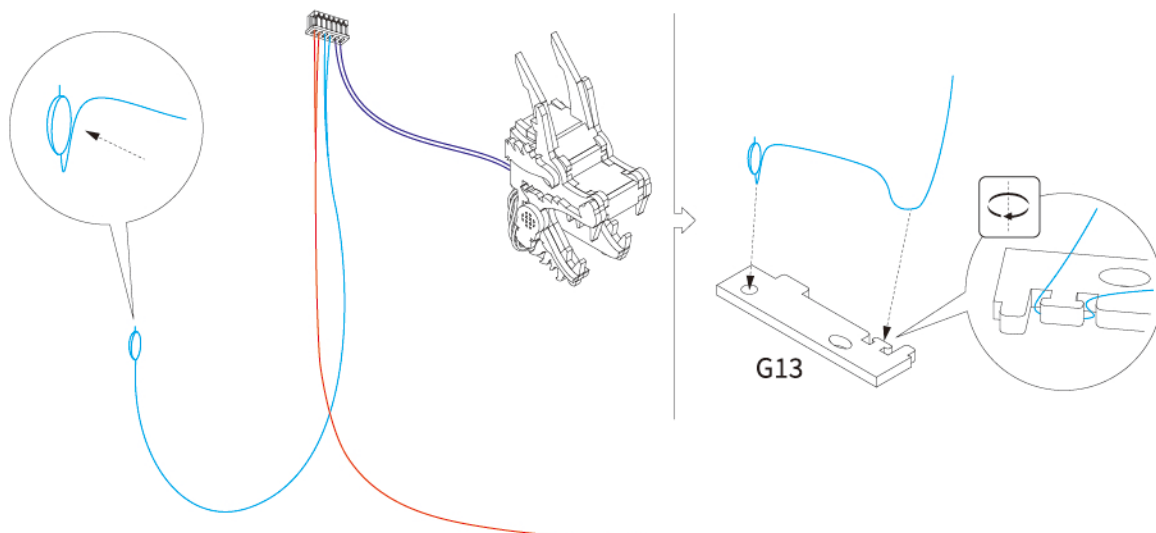


Note that the String Lights with multiple light beads have different colors of red and blue lights, please distinguish carefully so as not to affect the final effect.

Difference ① : The wire near the plug part has two kinds of red and blue, representing their respective colors.

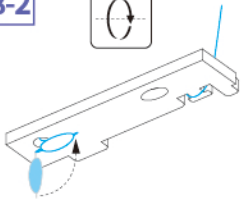
Difference ② : Red String Lights have more light beads, and the spacing of blue light beads is nearly twice that of red light beads.

Fold the wire to the back of the lamp bead as shown.

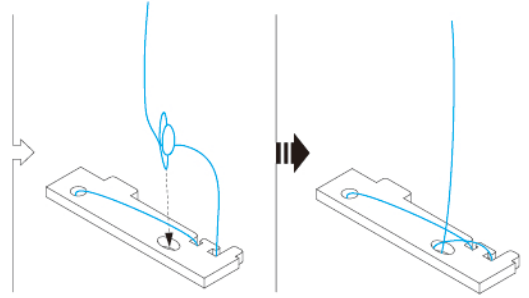


18

18-2

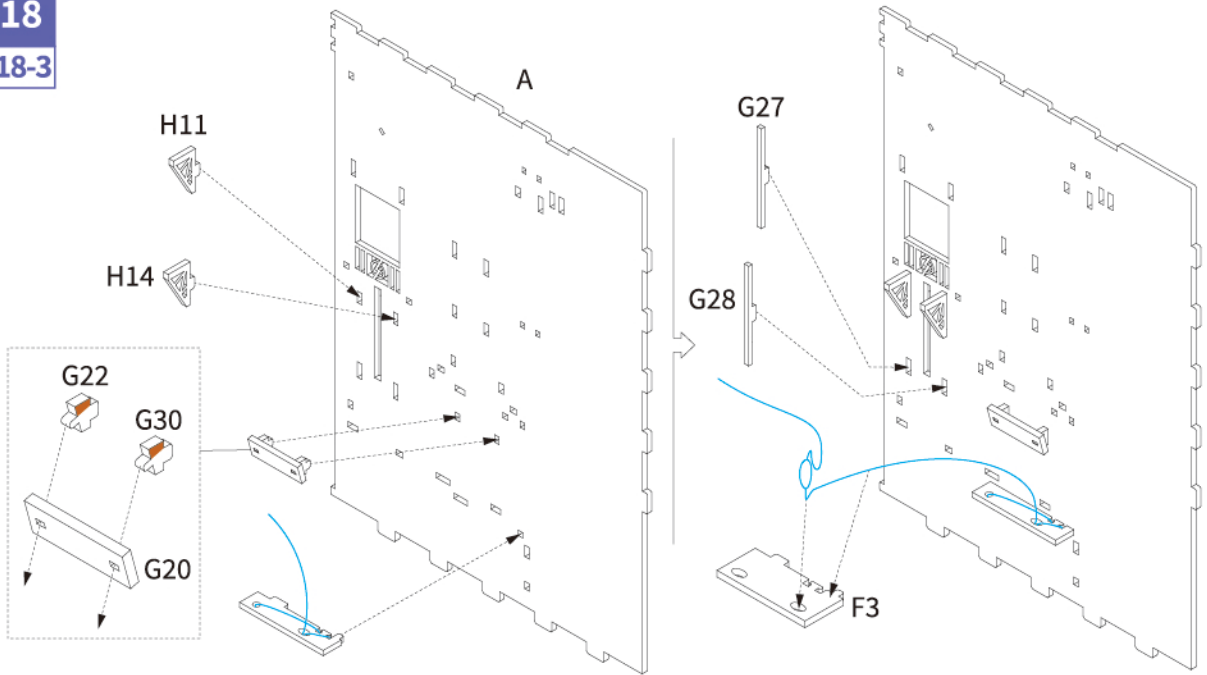


Bend the wire to 90° to fit the lamp bead to G13, The following similar steps use the same method to secure the lamp bead.



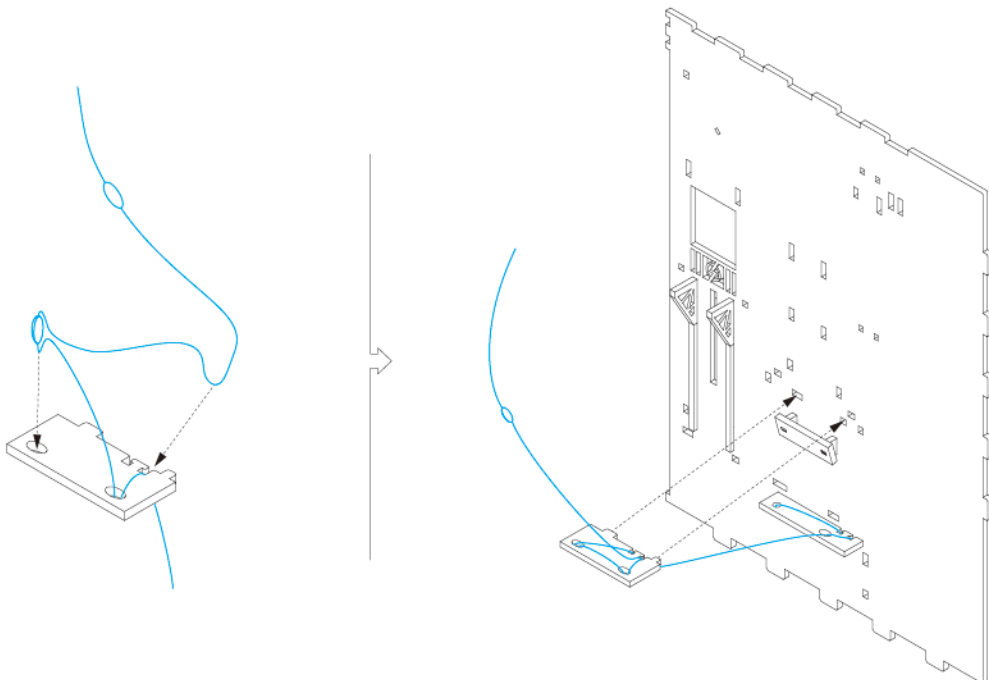
18

18-3



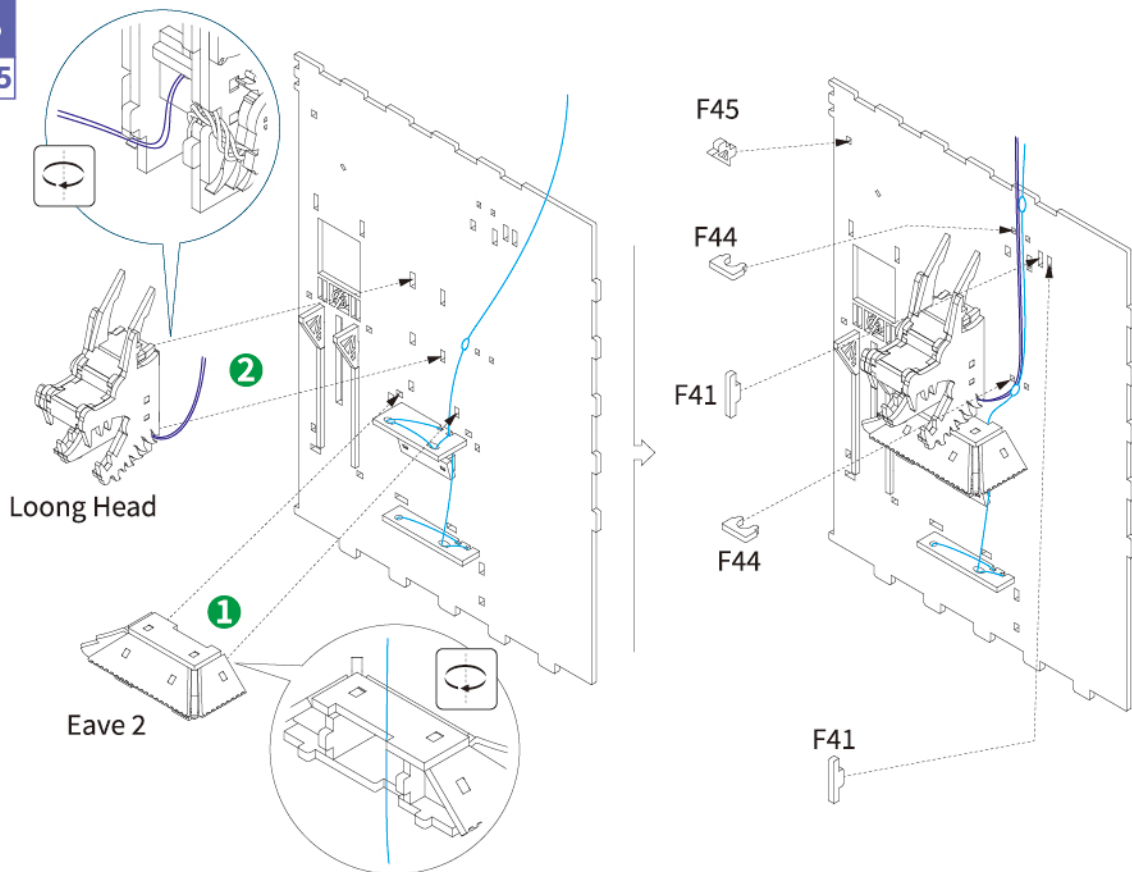
18

18-4



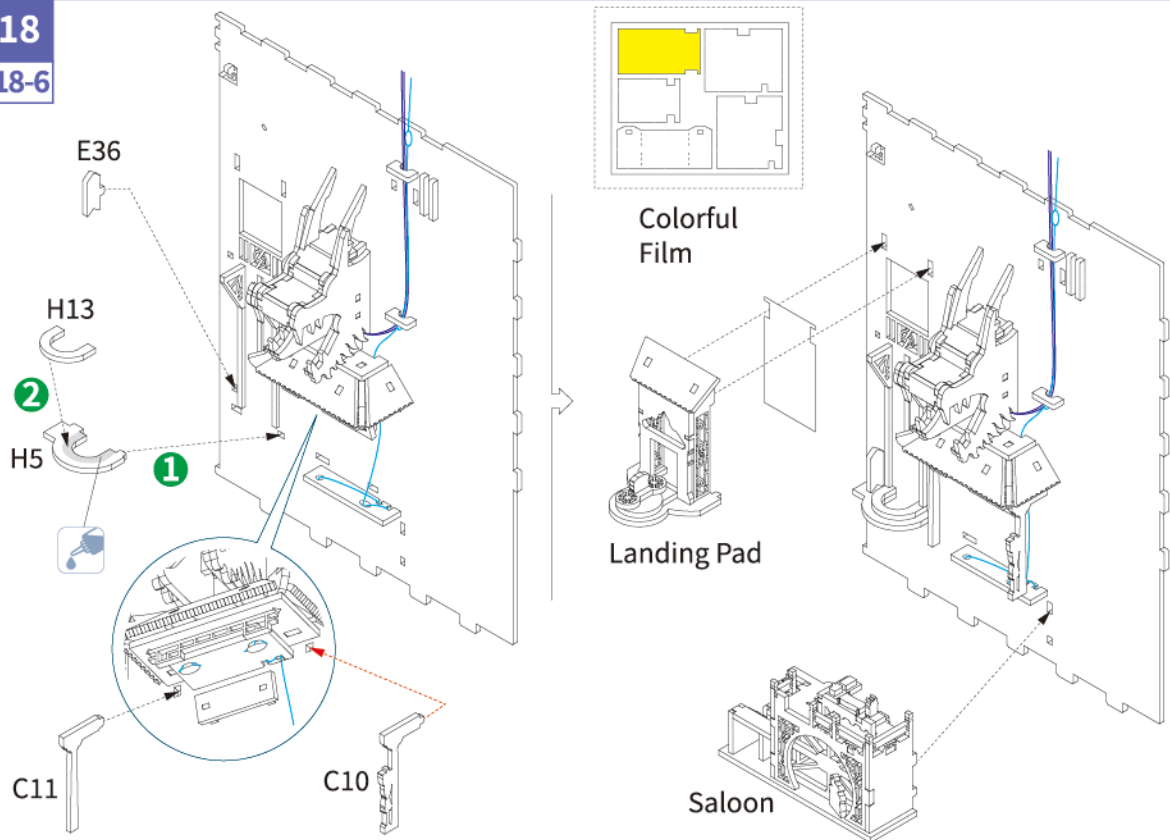
18

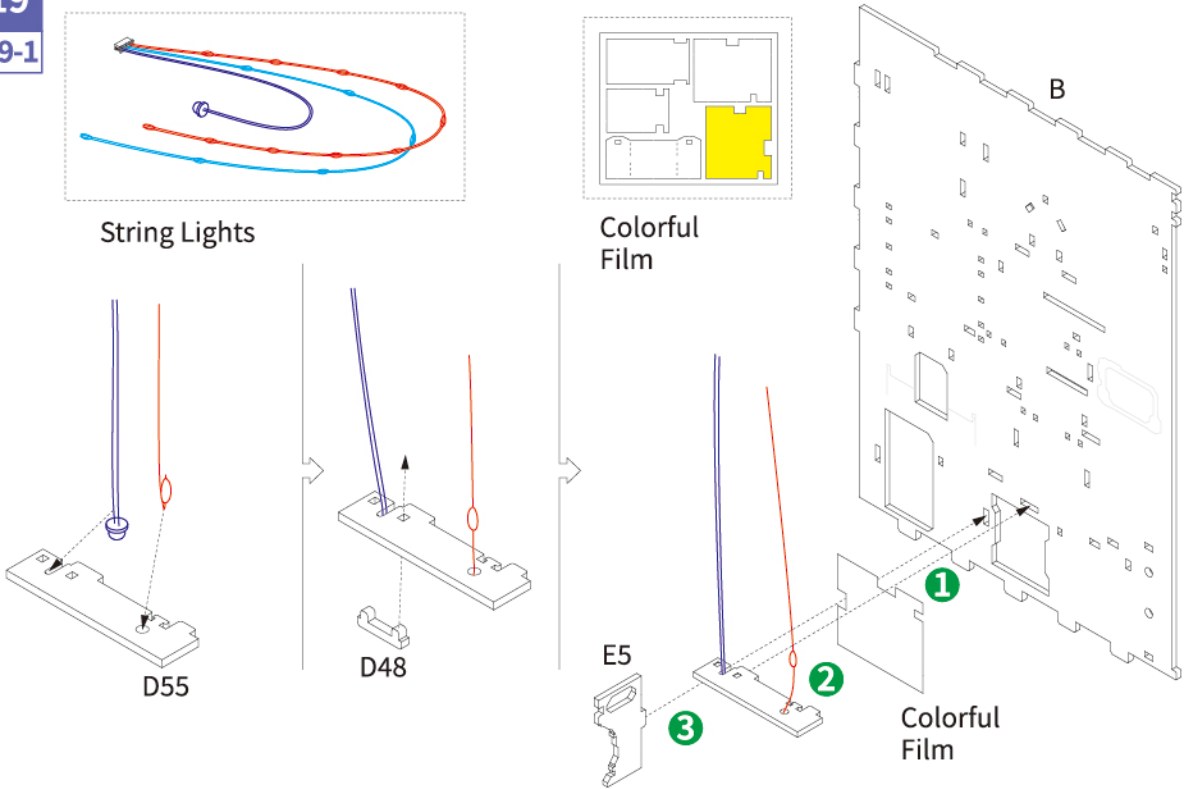
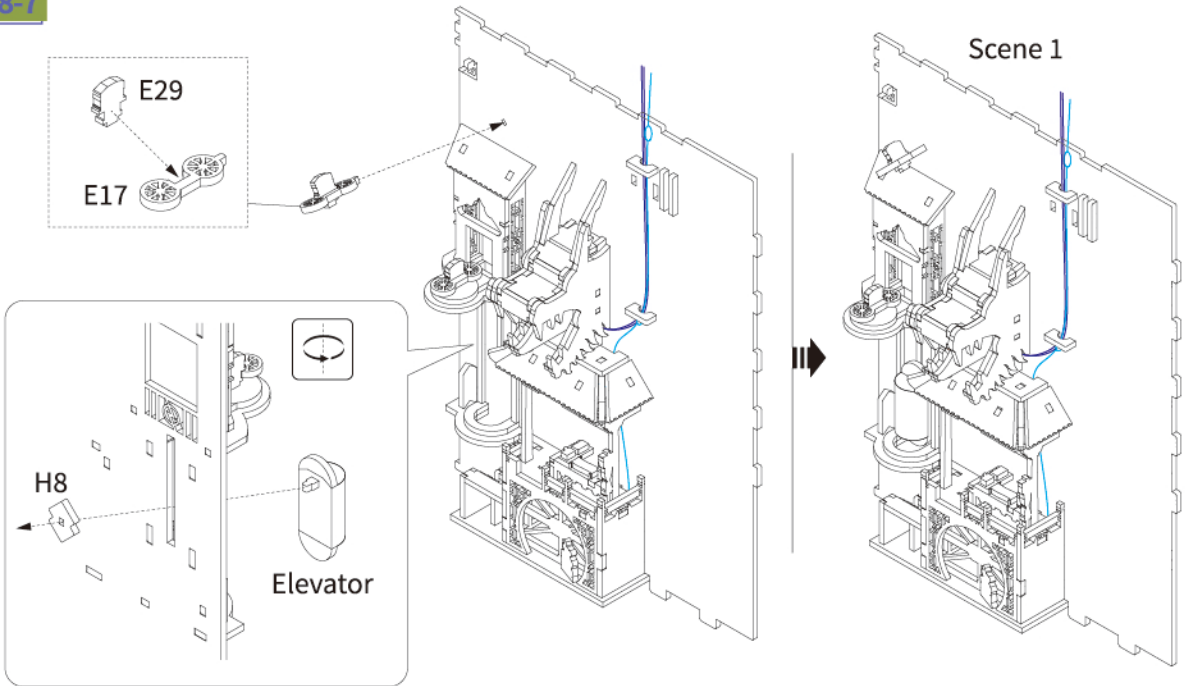
18-5

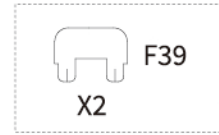
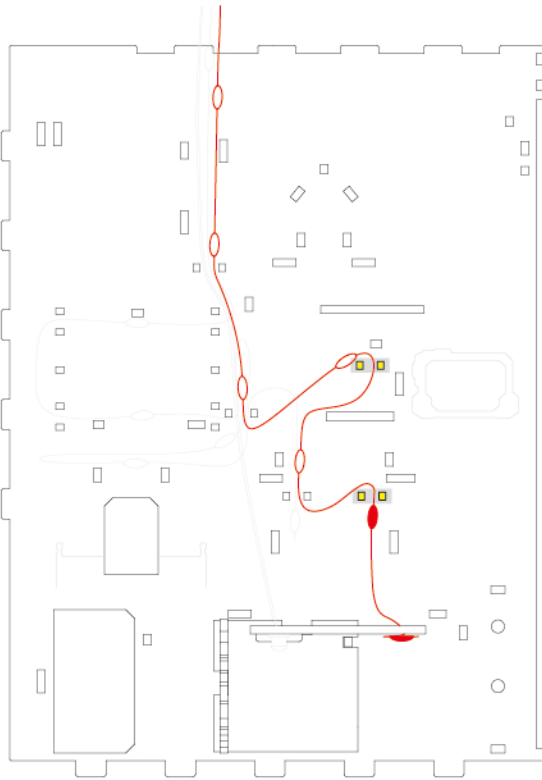


18

18-6

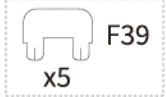




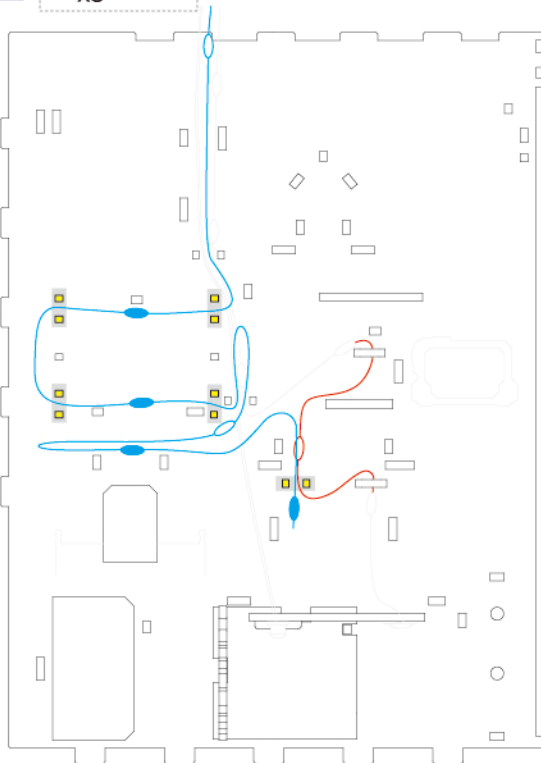


As shown in the figure, after the red light string is arranged according to the red arrow trend pattern of board B, use F39 to fix the wire in the yellow jack, the same below.

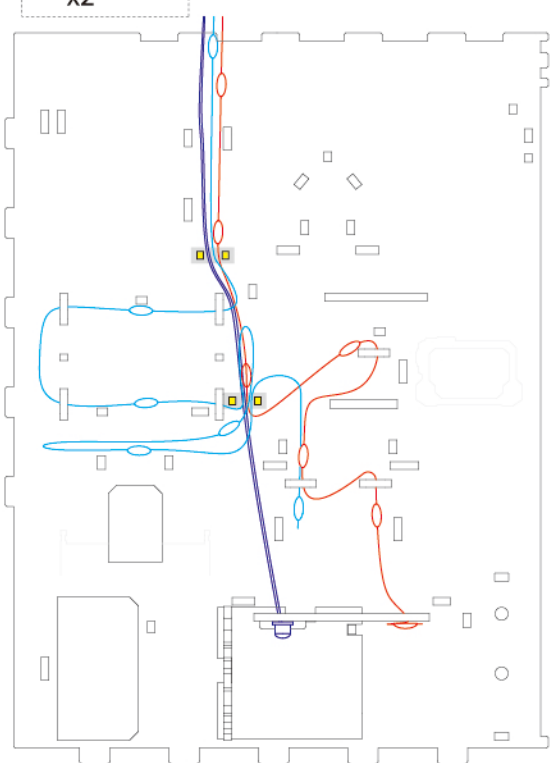
**(Note:** The position of the solid lamp bead in the figure must be consistent with that shown.)



Use F39 to secure the wires.



Use F44 to secure the wires.

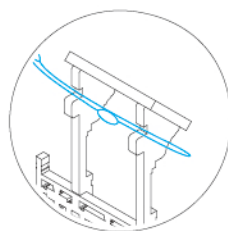


19

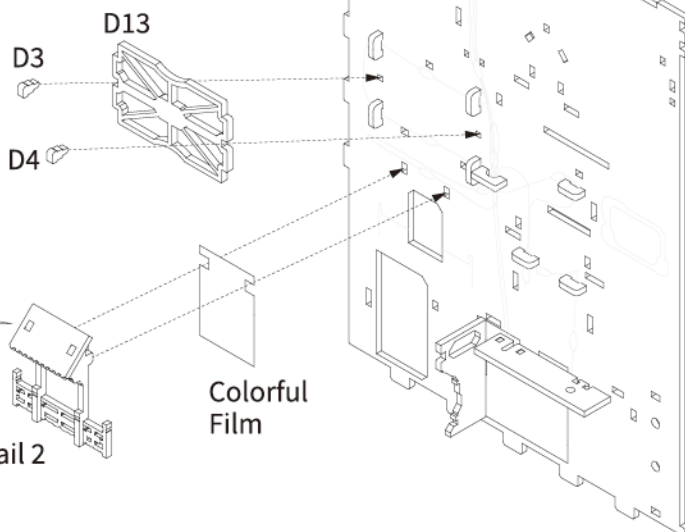
19-4



Colorful Film



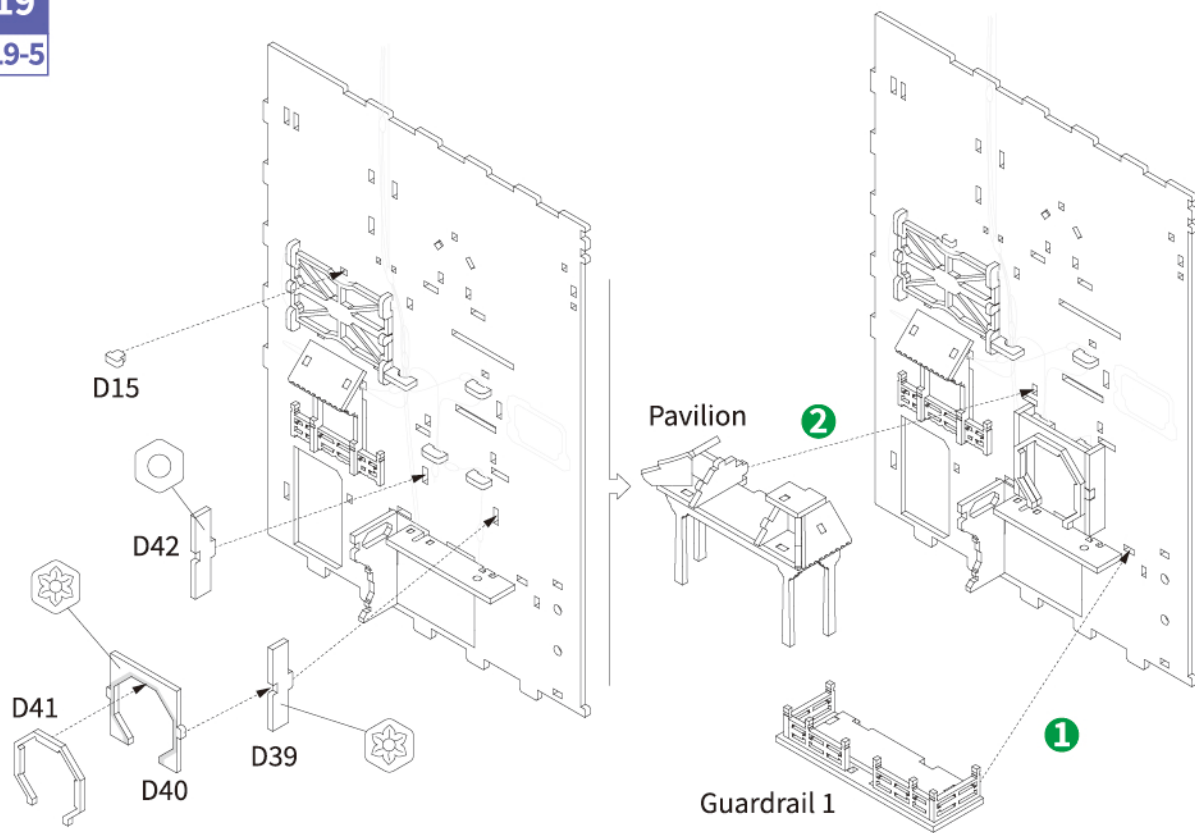
Guardrail 2



 Note that the colorful film needs to be under the wire.

19

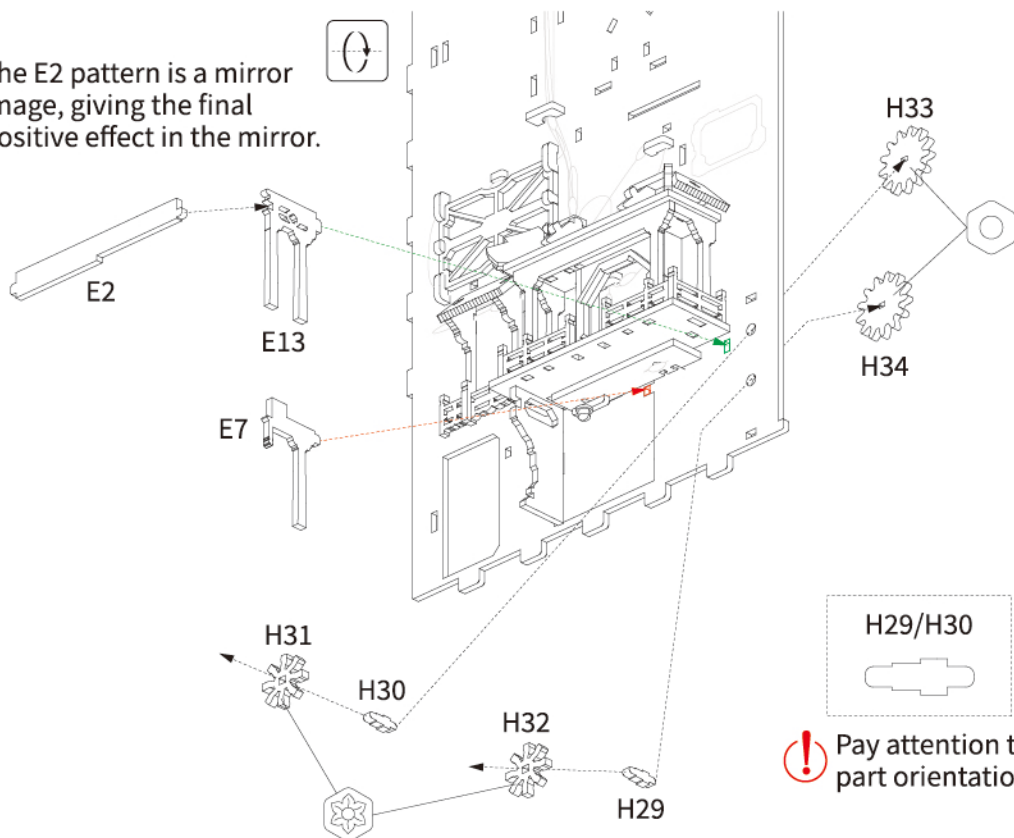
19-5



19

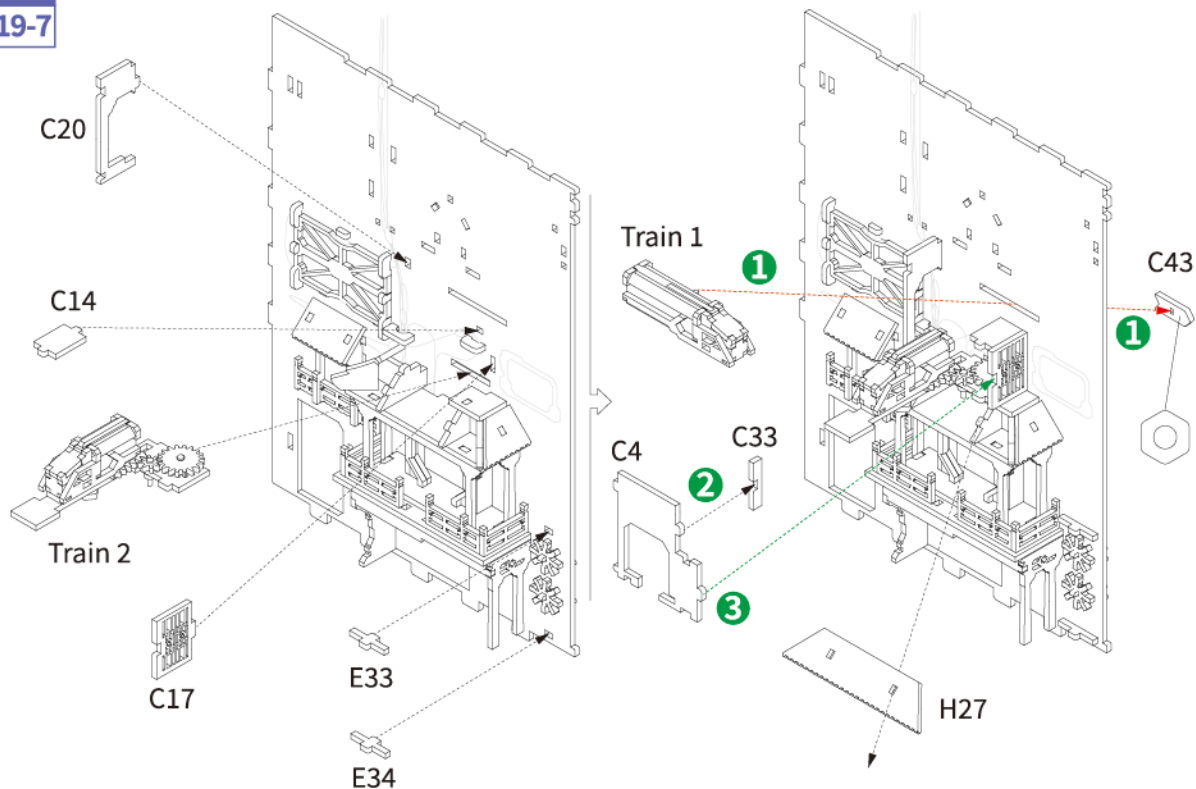
19-6

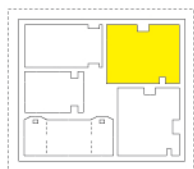
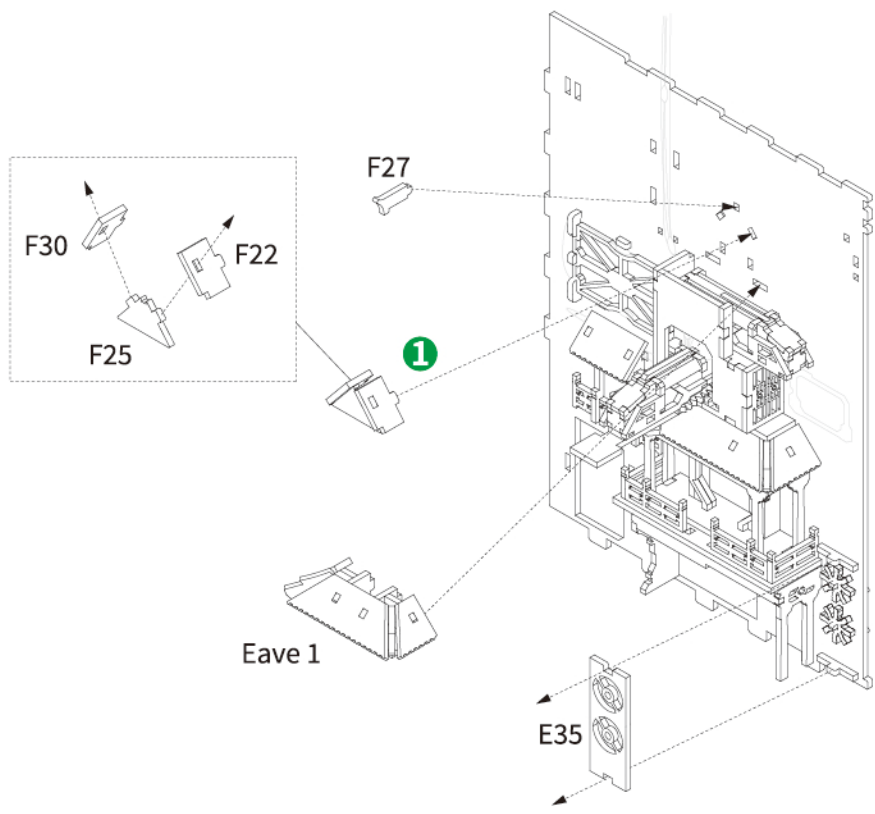
The E2 pattern is a mirror image, giving the final positive effect in the mirror.



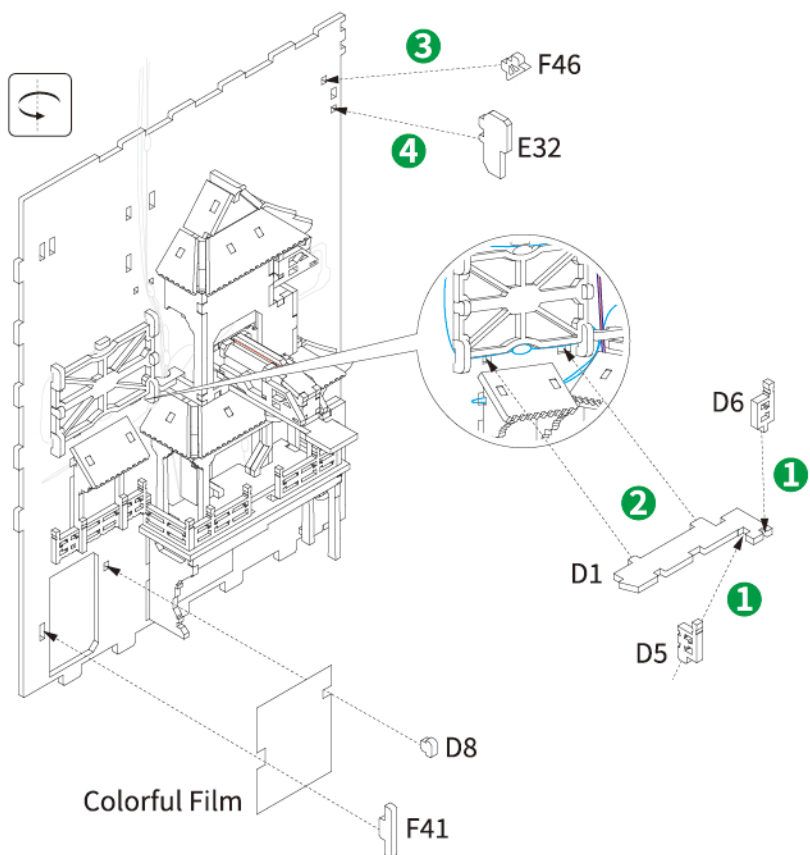
19

19-7



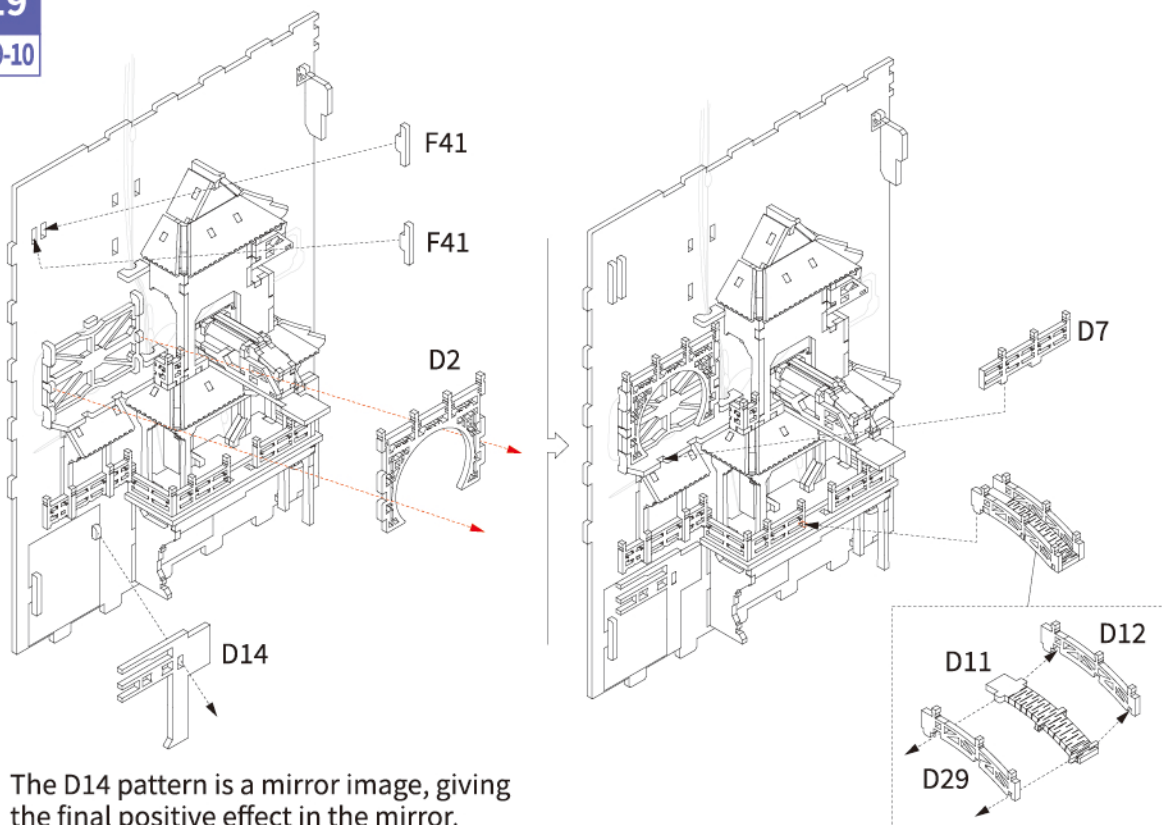


Colorful Film



19

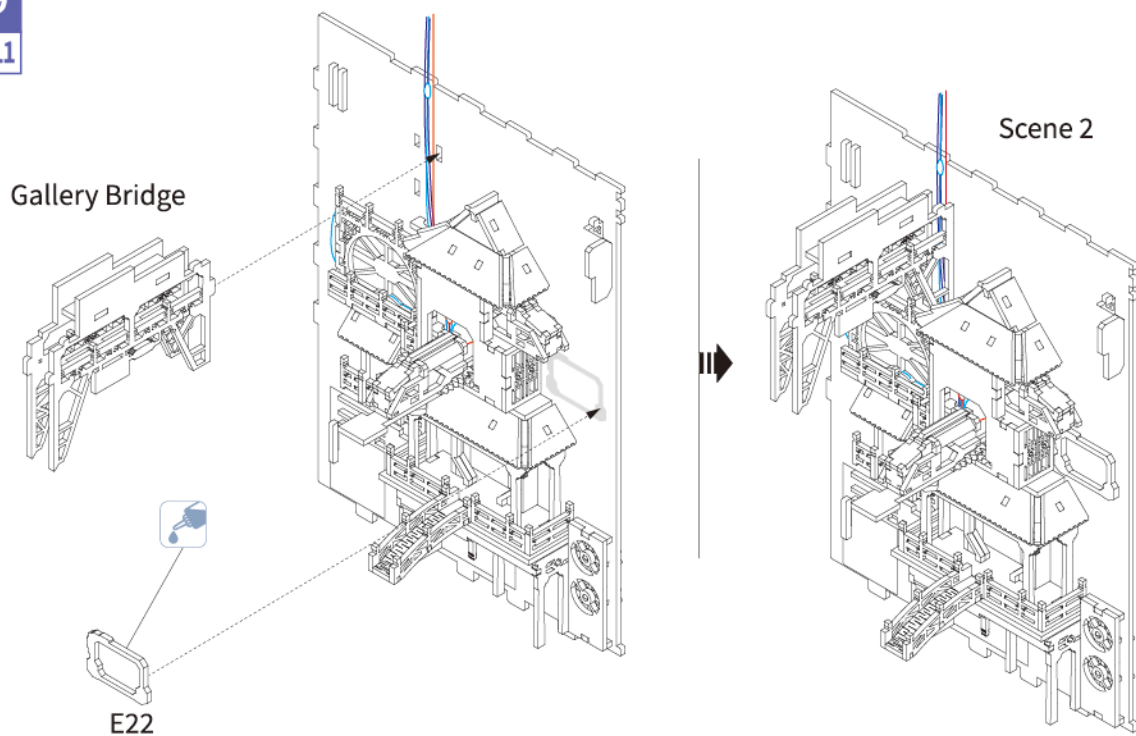
19-10



The D14 pattern is a mirror image, giving the final positive effect in the mirror.

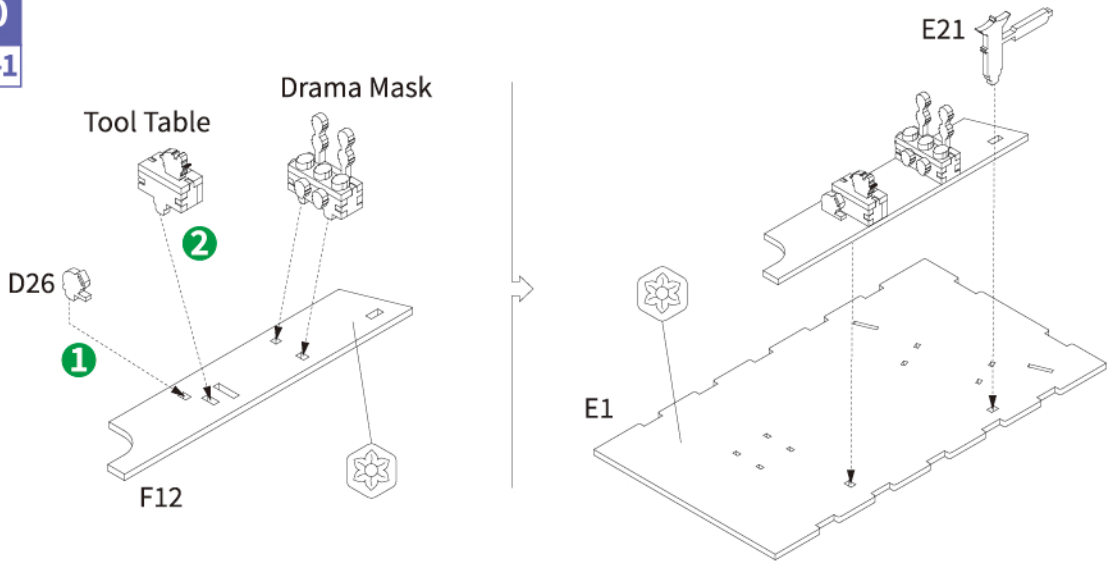
19

19-11



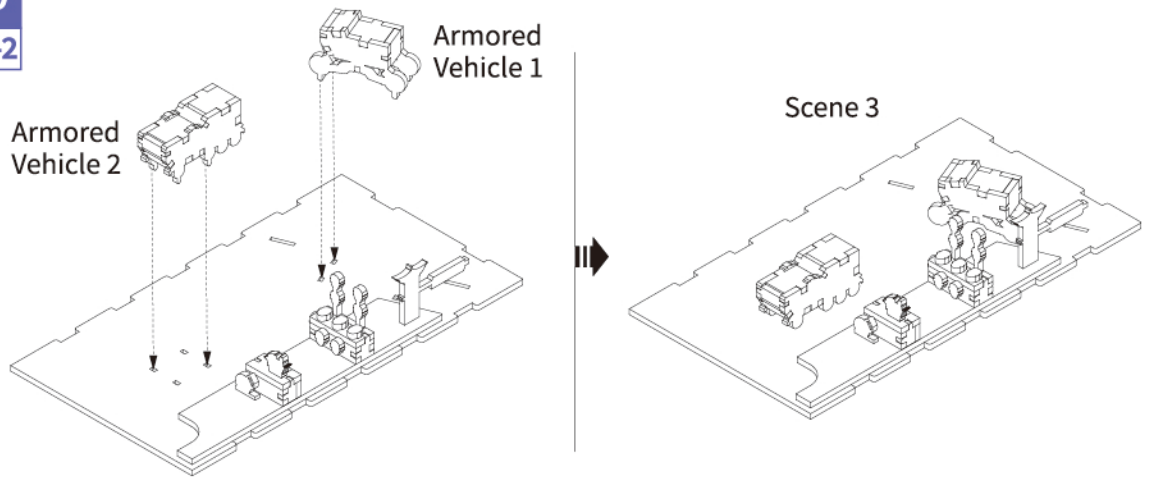
20

20-1



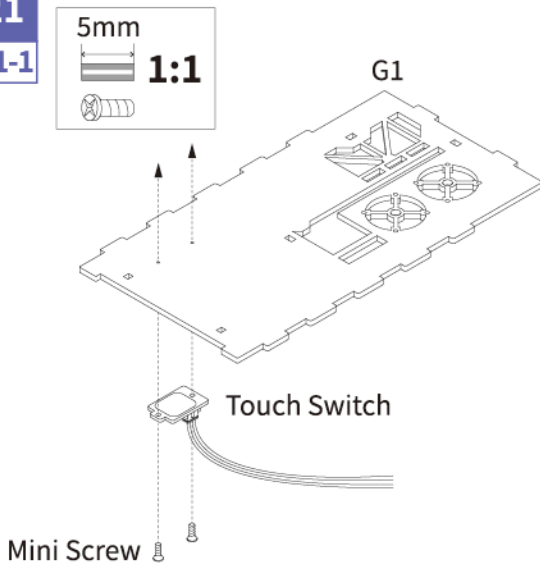
20

20-2

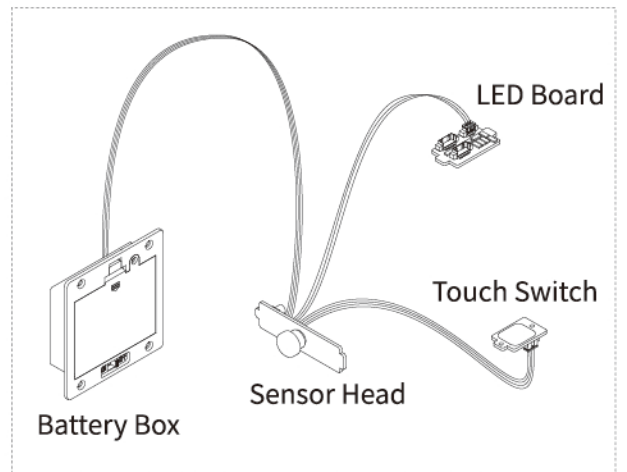


21

21-1

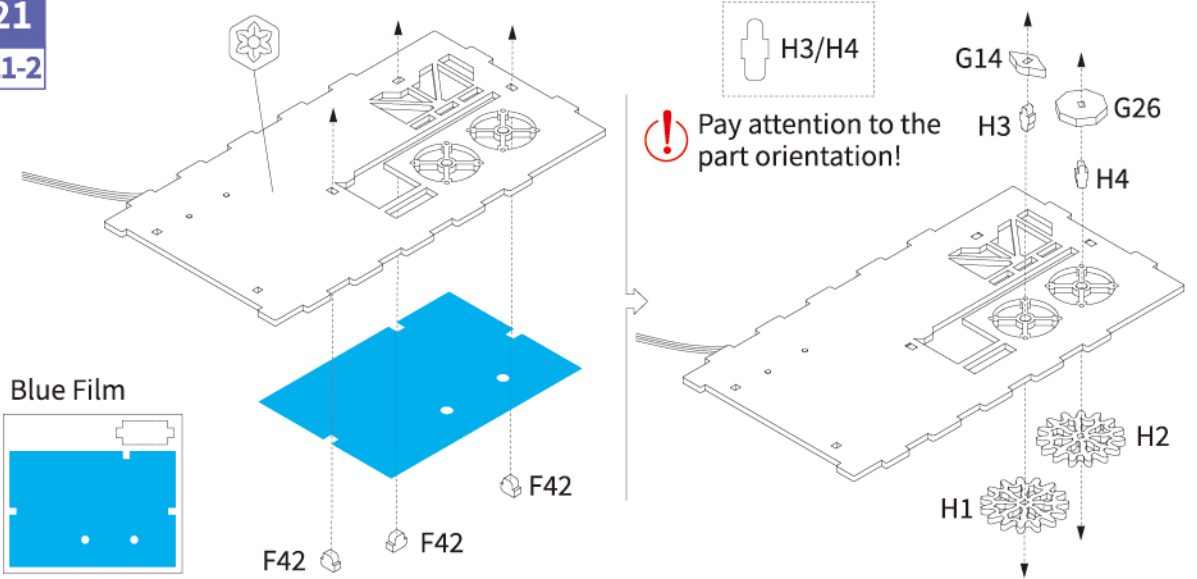


Electronic Kit



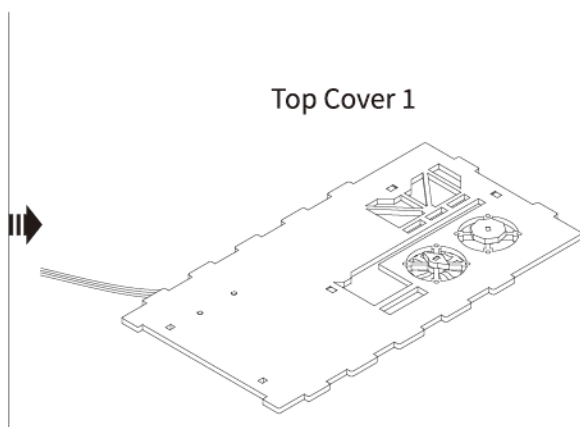
21

21-2



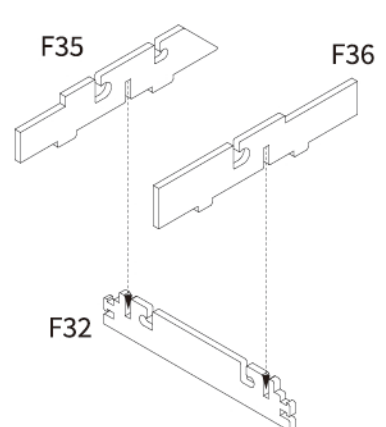
21

21-3



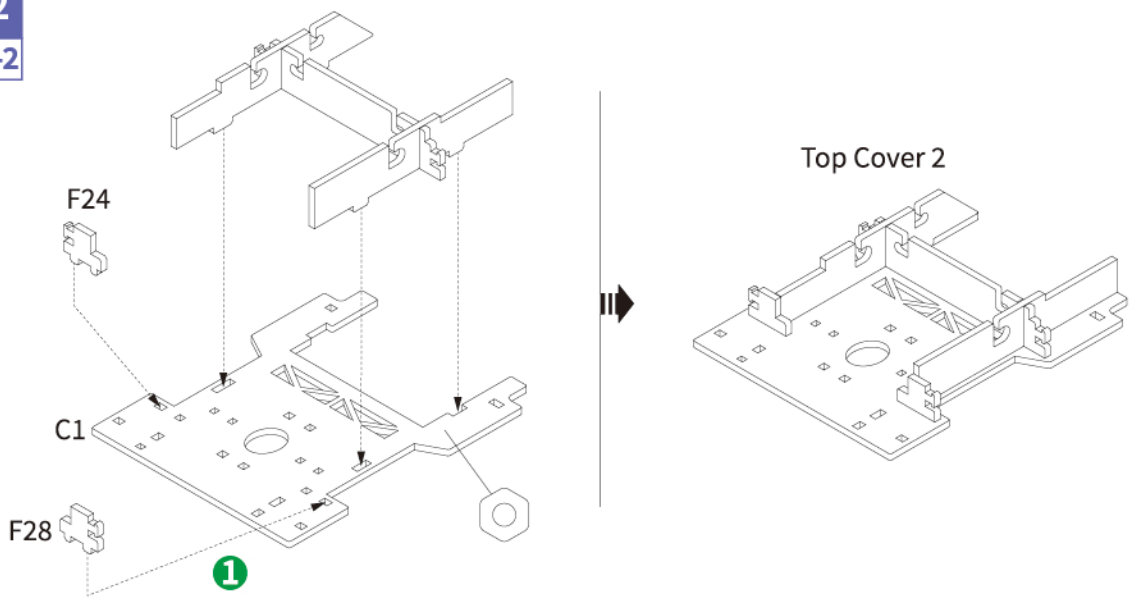
22

22-1



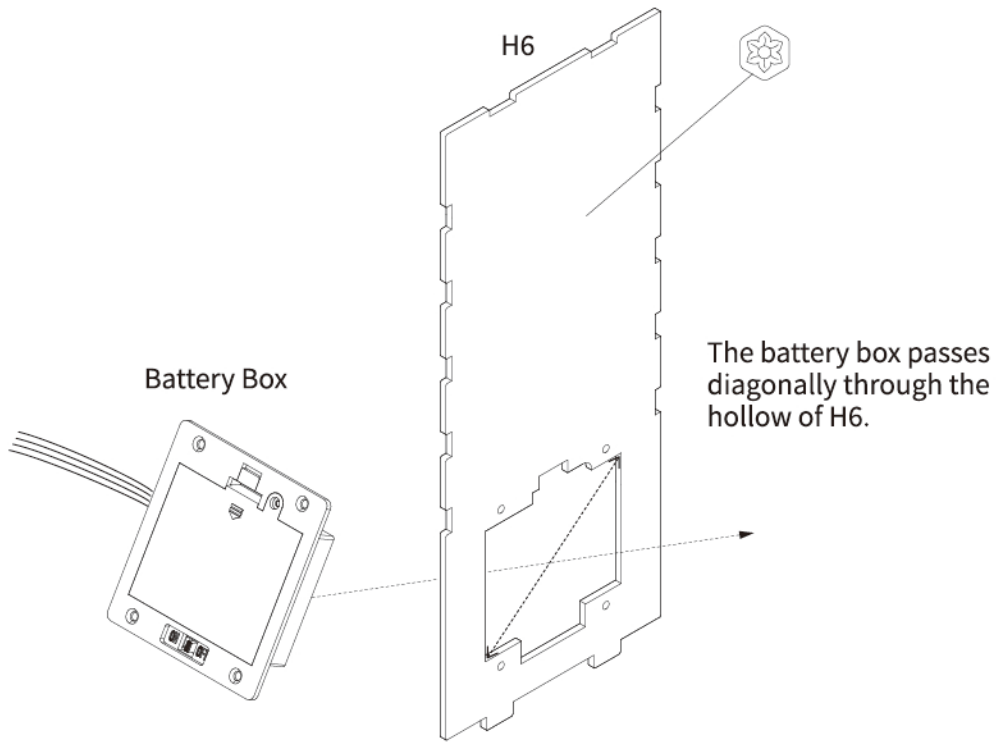
22

22-2



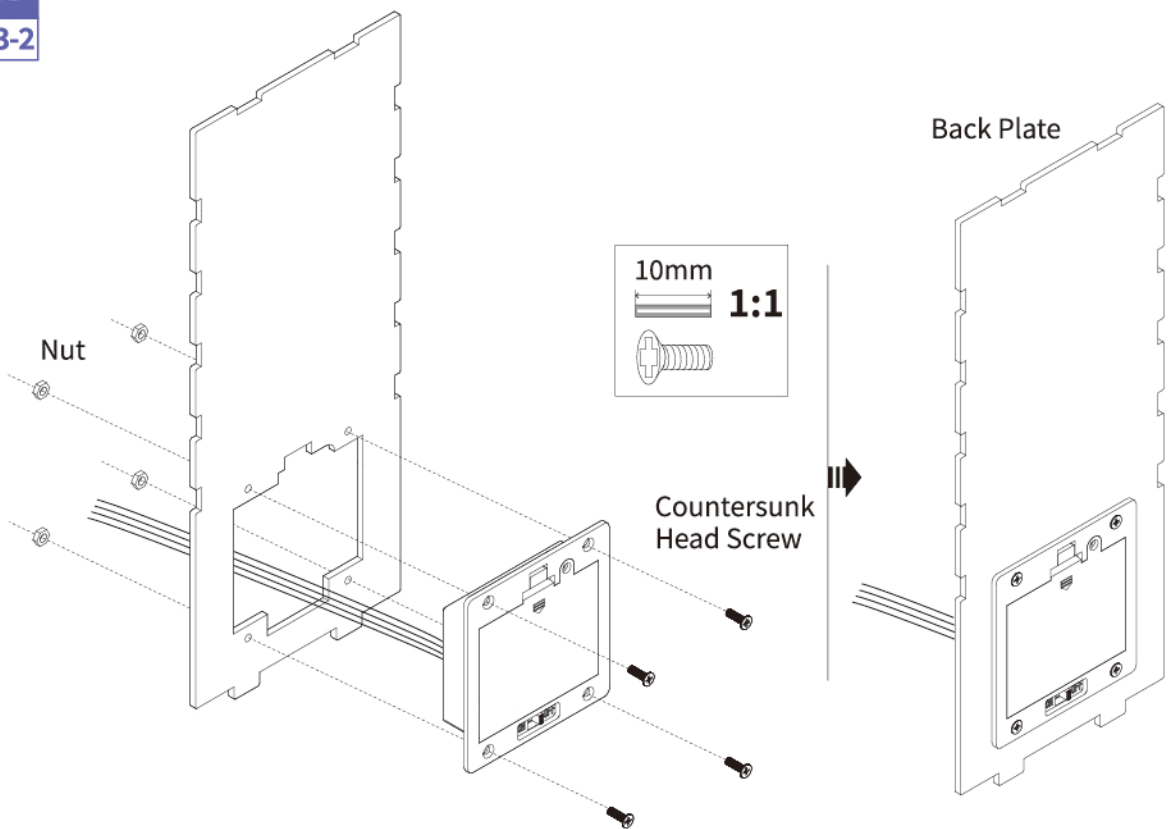
23

23-1

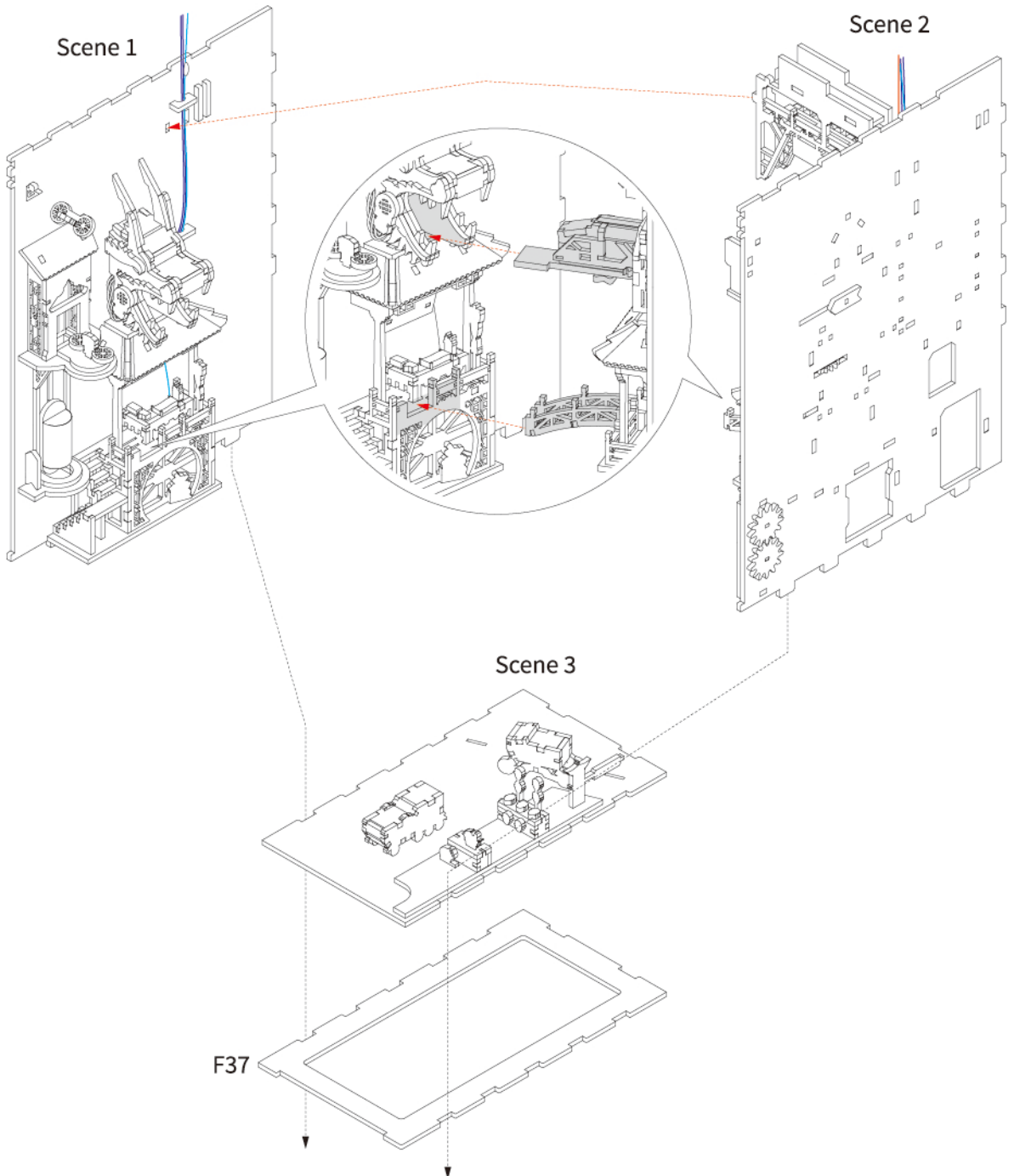


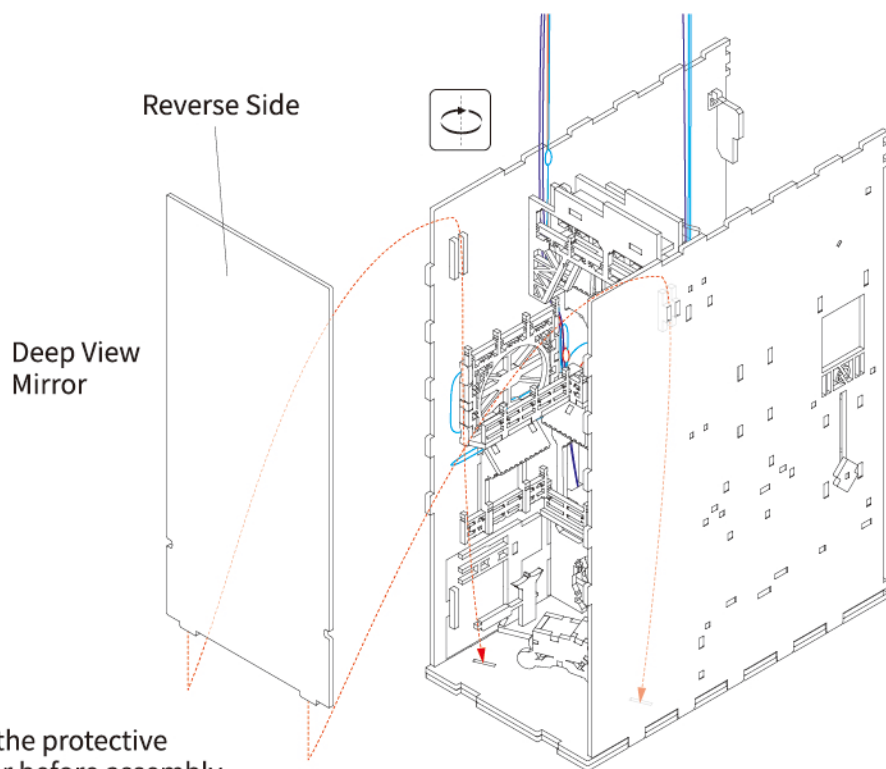
23

23-2

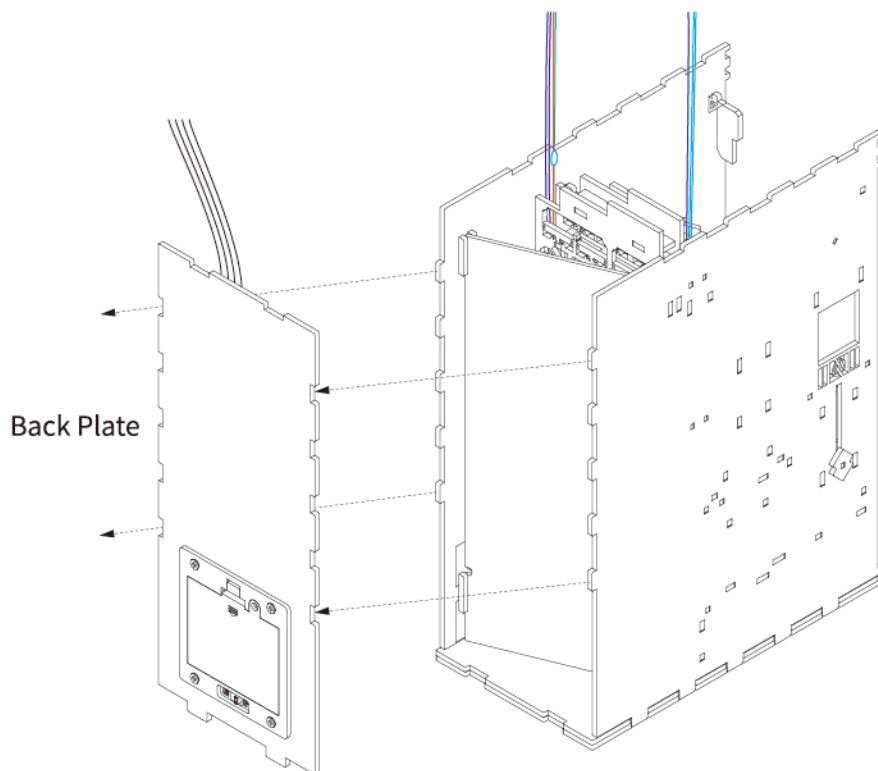


Scene 1 When splicing scene 2, you need to adjust the direction between buildings with the help of fingers to prevent them from getting stuck.

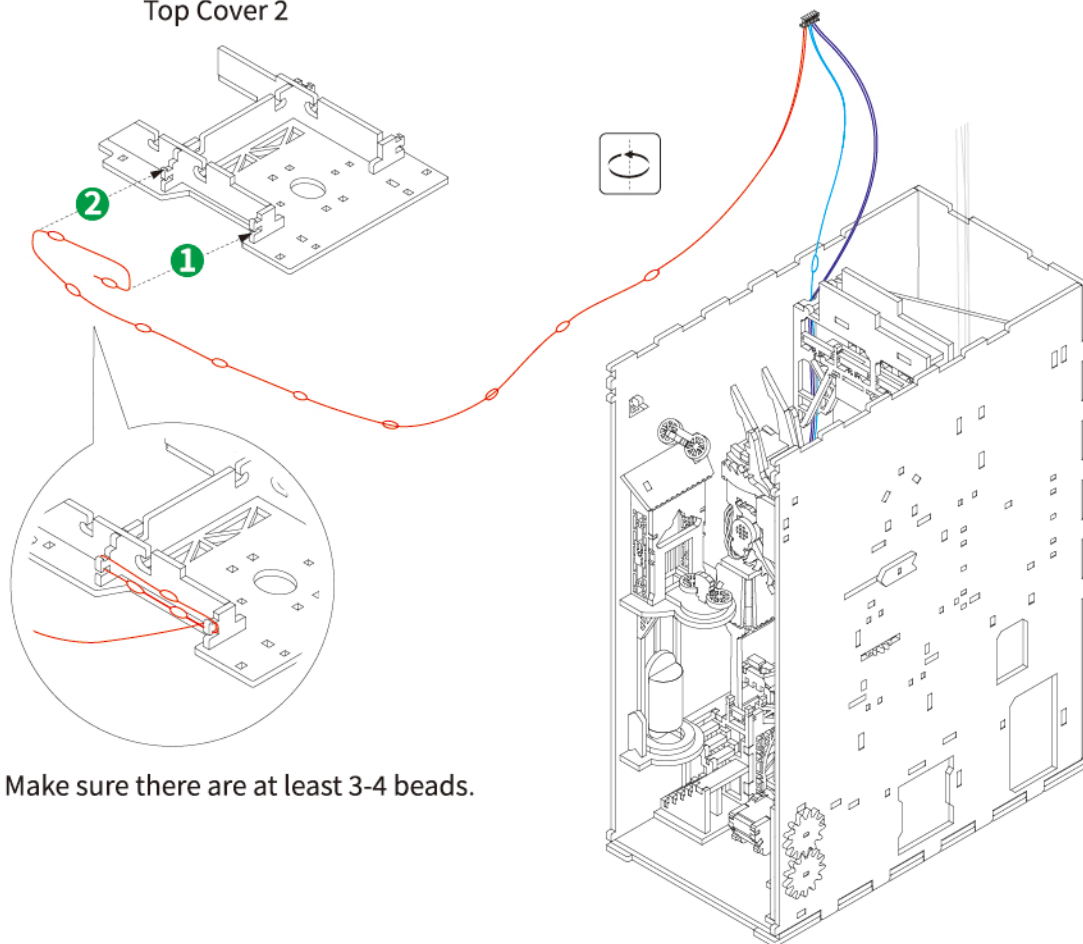




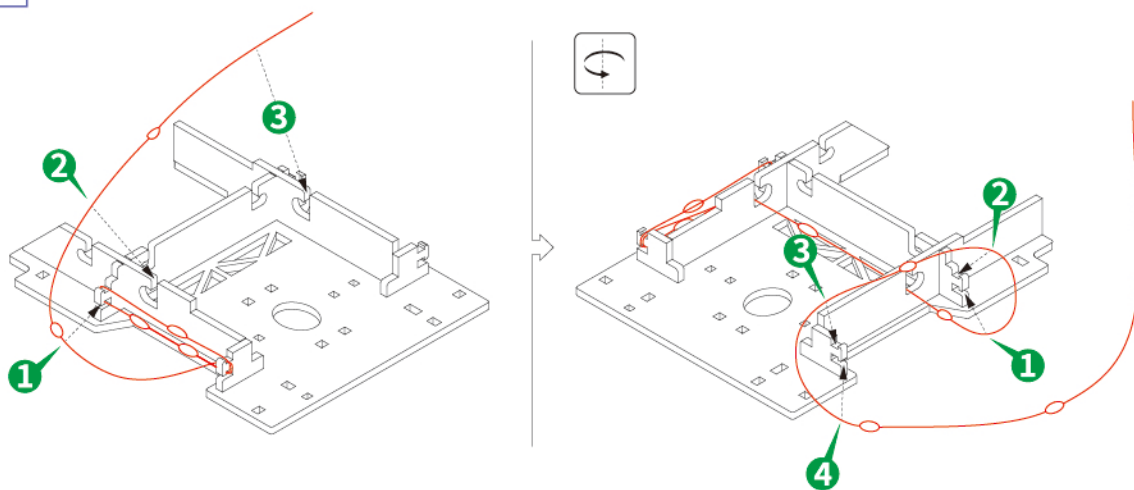
⚠ Please remove the protective film of the mirror before assembly (The side with the label on it).



## Top Cover 2

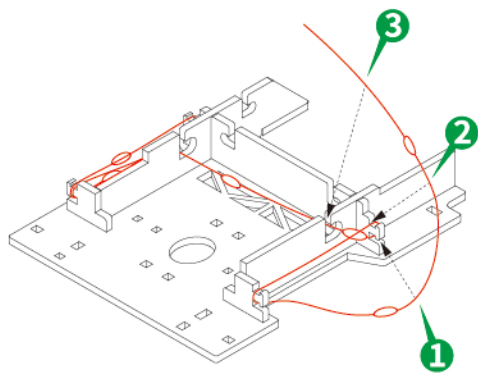


Make sure there are at least 3-4 beads.



24

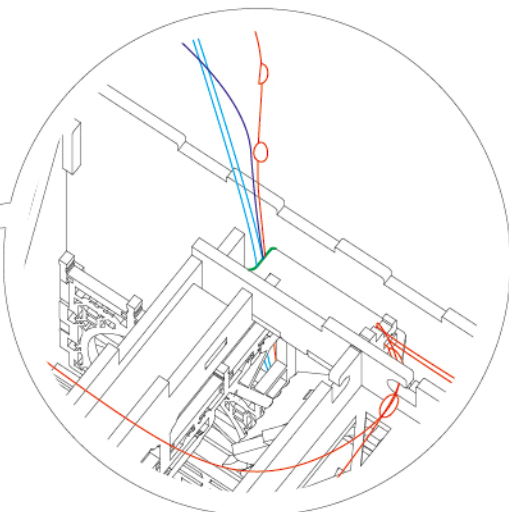
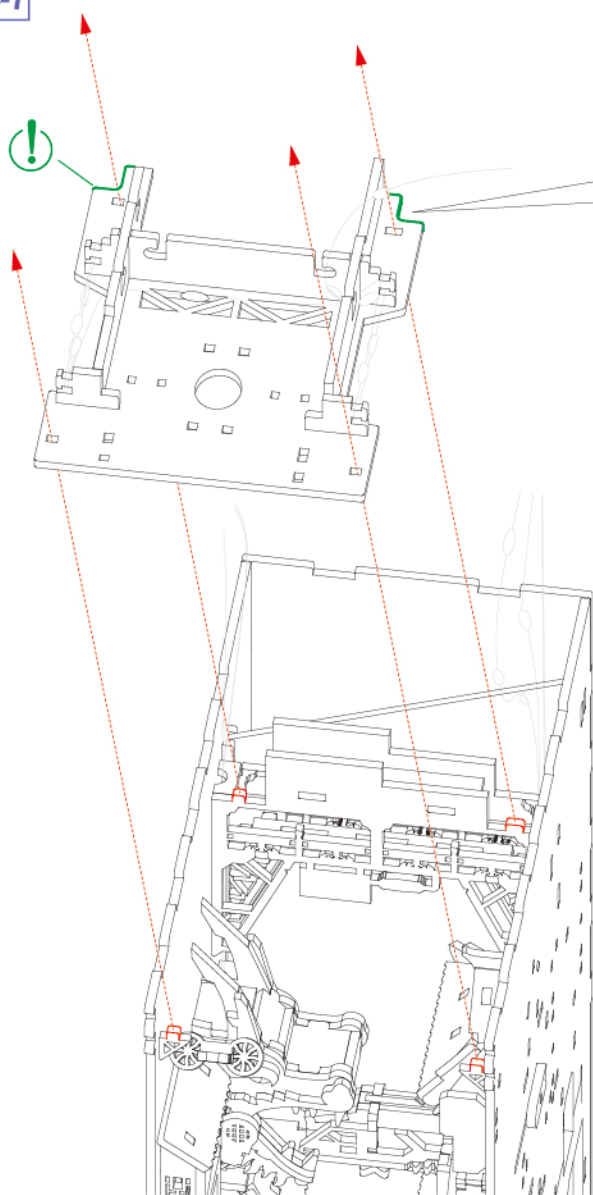
24-6



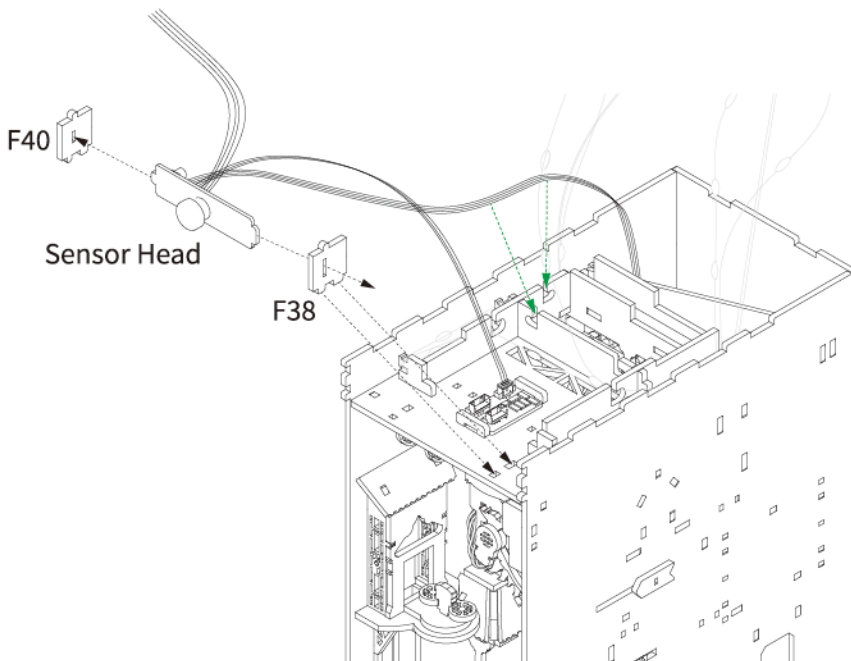
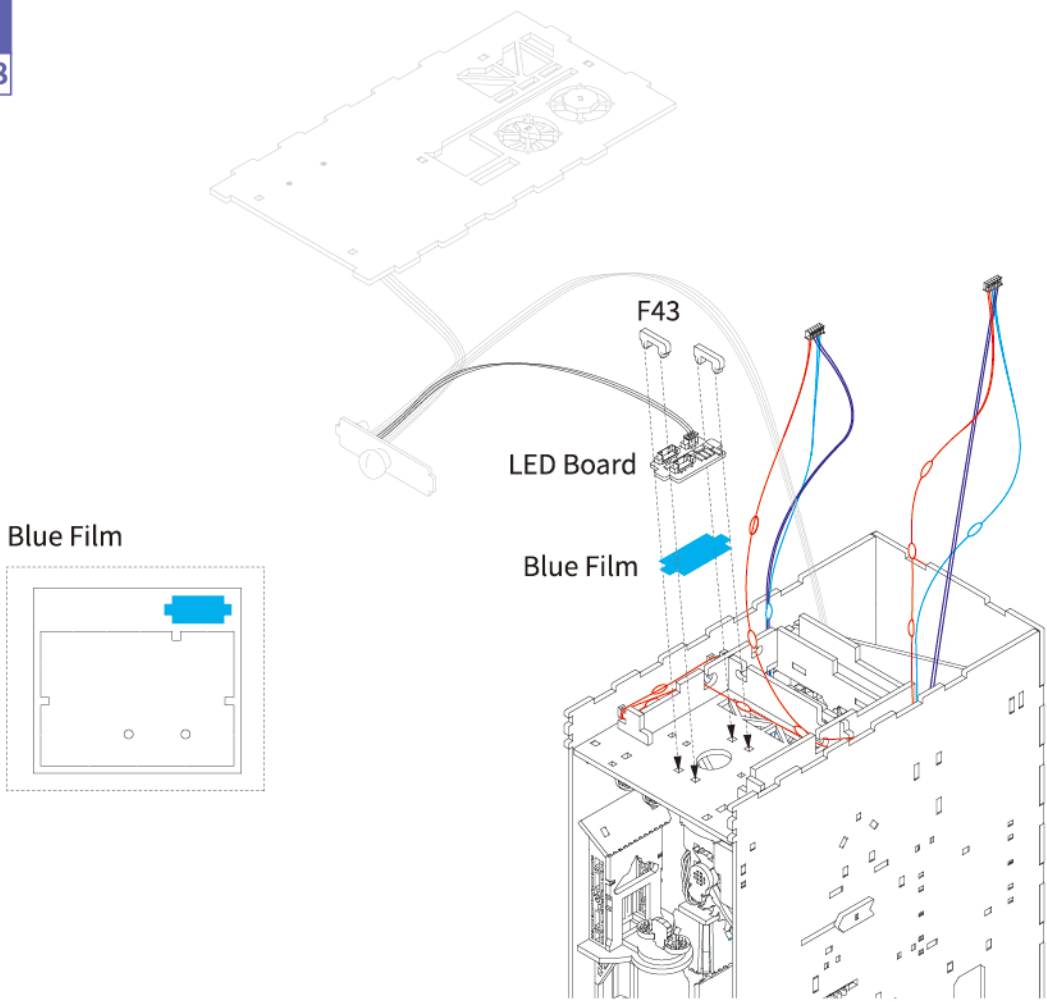
Make sure there are at least 3-4 beads.

24

24-7

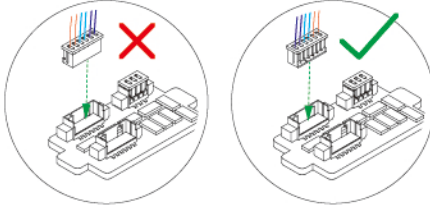


! When assembling, note that the wires on both sides need to be in the bayonet.



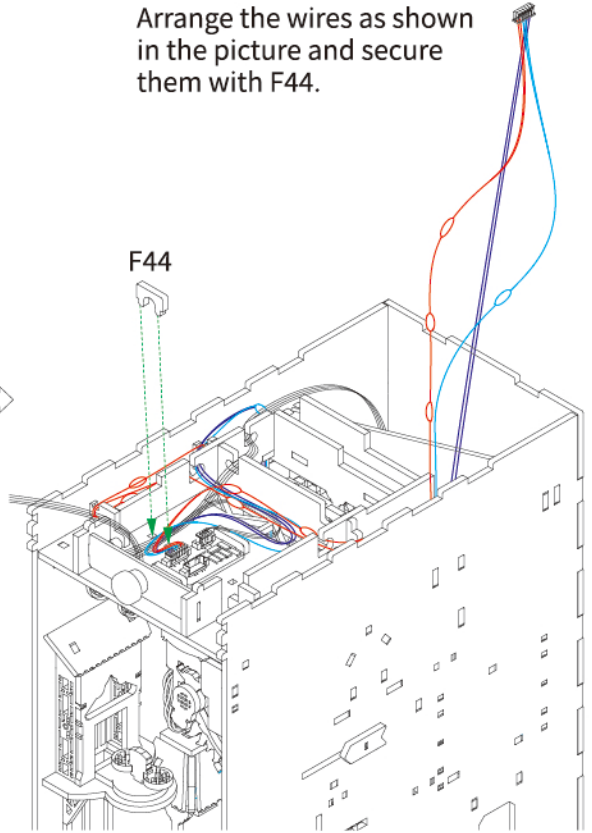
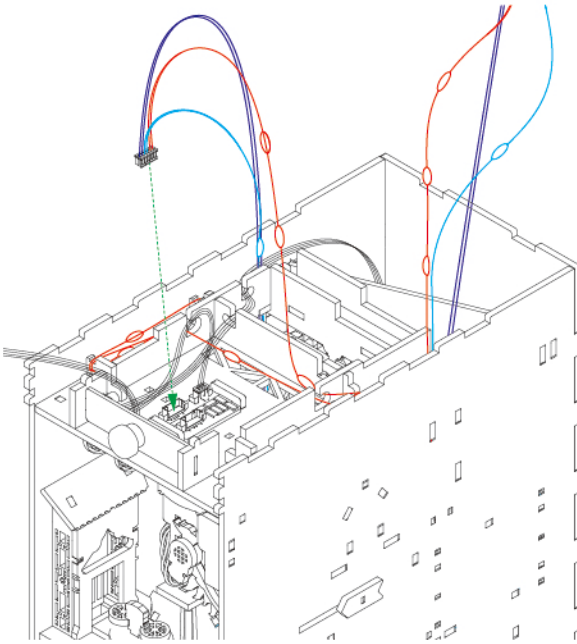
24

24-10



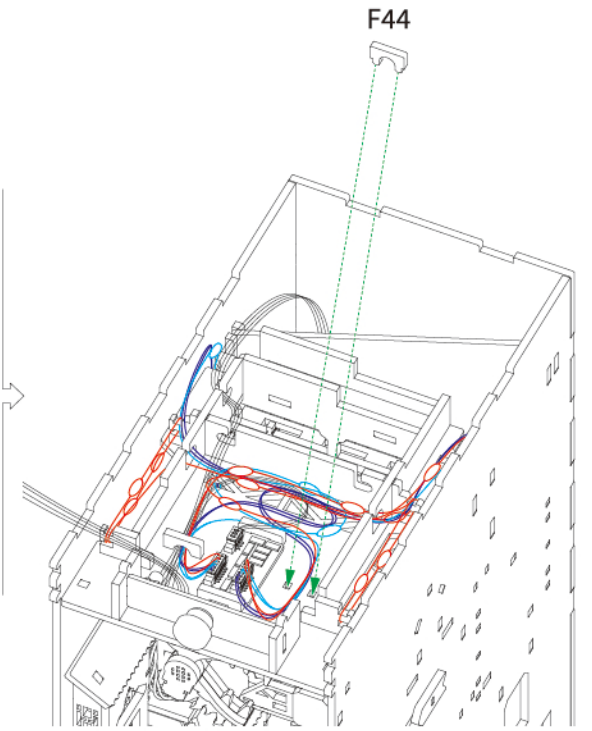
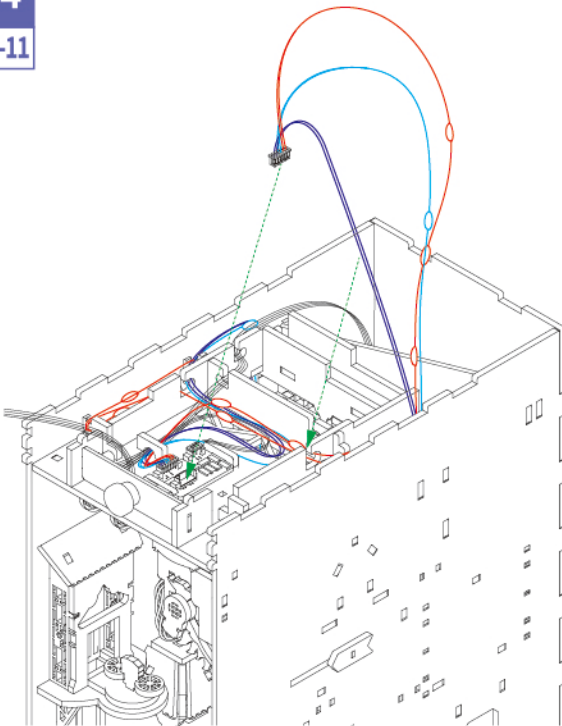
! Watch the direction!

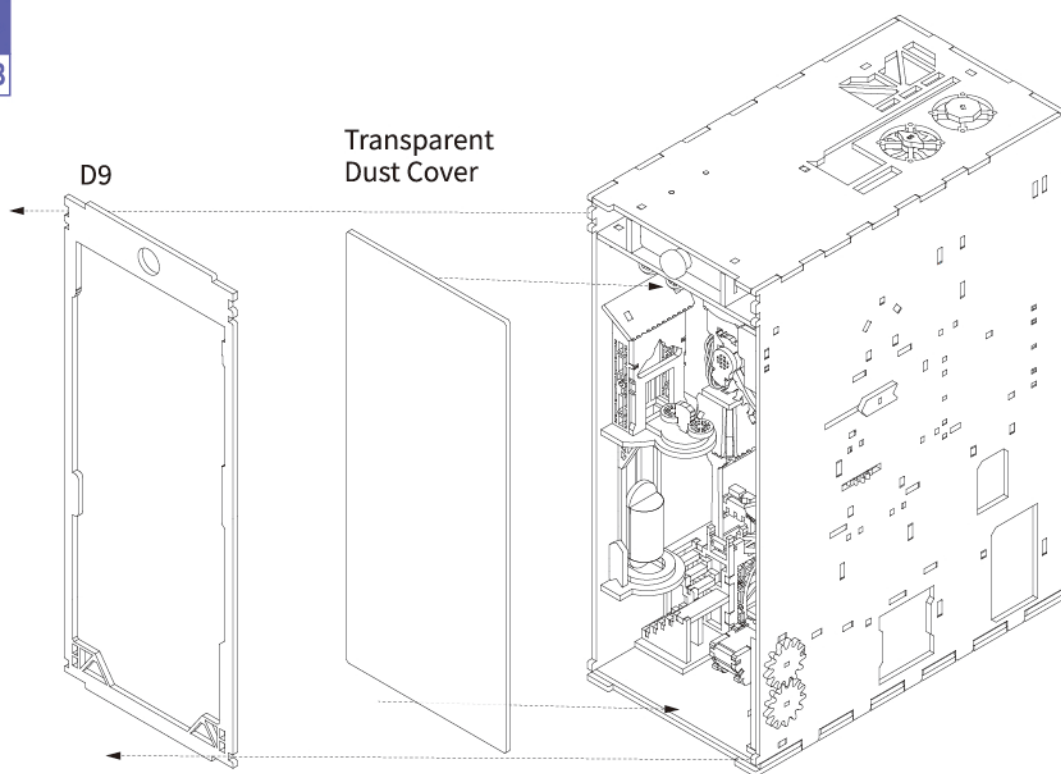
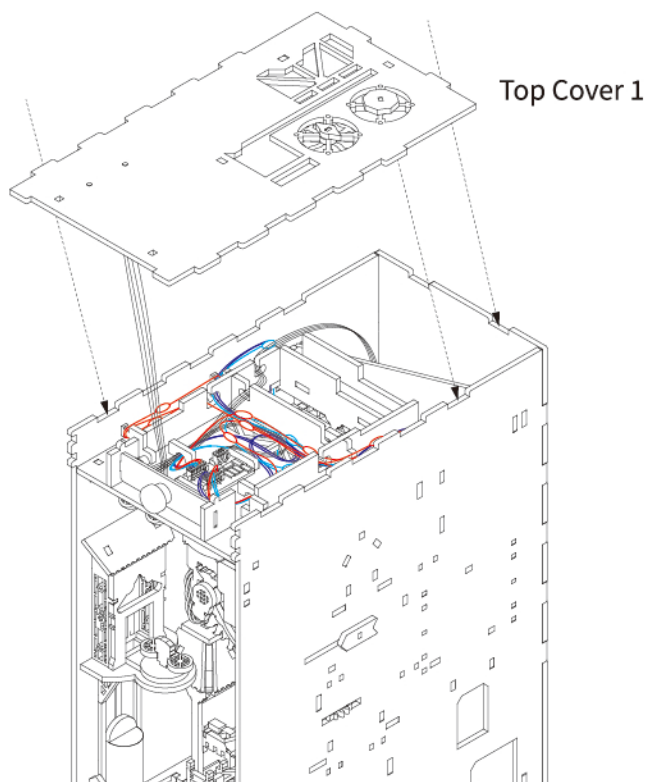
Arrange the wires as shown in the picture and secure them with F44.




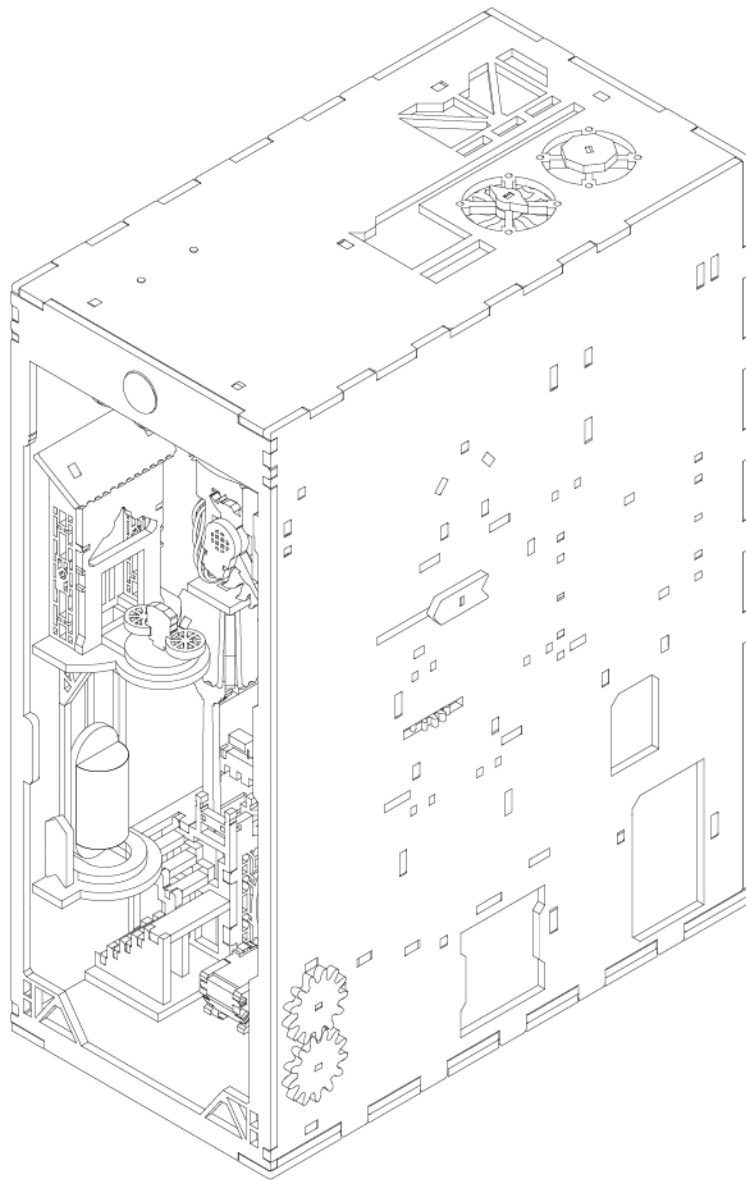
24

24-11





 Remove the film from the dust cover before installing it.



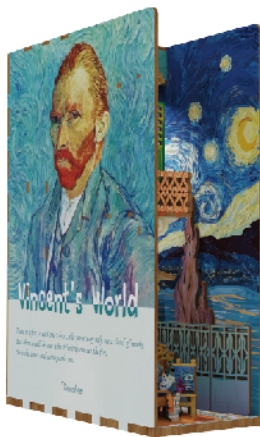
Finished!



TQ128  
Alice in Wonderland ★★★★★  
Components: 184 pcs



TQ122  
The Secret Garden ★★★★★  
Components: 80 pcs



TQ113  
Vincent's World ★★★★★  
Components: 80 pcs



TQ126  
Travel With The Wind ★★★★★  
Components: 143 pcs



TQ115  
Dream of Red Mansions ★★★★★  
Components: 183 pcs



TQ118  
Song Dynasty Culture ★★★★★  
Components: 266 pcs